



(51) International Patent Classification:

H01M 8/0612 (2016.01) *H01M 8/04007* (2016.01)
B01J 19/00 (2006.01) *H01M 8/04082* (2016.01)
B60L 11/18 (2006.01) *H01M 8/04223* (2016.01)
C01B 3/26 (2006.01) *H01M 8/04701* (2016.01)
H01G 11/00 (2013.01) *H01M 8/04302* (2016.01)
H01M 16/00 (2006.01)

(21) International Application Number:

PCT/IB2016/057628

(22) International Filing Date:

14 December 2016 (14.12.2016)

(25) Filing Language:

English

(26) Publication Language:

English

(30) Priority Data:

62/267,645 15 December 2015 (15.12.2015) US

(71) Applicant: KING ABDULLAH UNIVERSITY OF SCIENCE AND TECHNOLOGY [SA/SA]; 4700 King Abdullah University of Science and Technology, Thuwal, 23955-6900 (SA).

(72) Inventors: HUANG, Kuo-Wei; c/o King Abdullah University of Science and Technology, 4700 King Abdullah University of Science and Technology, Thuwal, 23955-6900 (SA). ZHENG, Junrong; c/o King Abdullah University of Science and Technology, 4700 King Abdullah University of Science and Technology, Thuwal, 23955-6900 (SA).

(81) Designated States (unless otherwise indicated, for every kind of national protection available): AE, AG, AL, AM, AO, AT, AU, AZ, BA, BB, BG, BH, BN, BR, BW, BY,

BZ, CA, CH, CL, CN, CO, CR, CU, CZ, DE, DJ, DK, DM, DO, DZ, EC, EE, EG, ES, FI, GB, GD, GE, GH, GM, GT, HN, HR, HU, ID, IL, IN, IR, IS, JP, KE, KG, KH, KN, KP, KR, KW, KZ, LA, LC, LK, LR, LS, LU, LY, MA, MD, ME, MG, MK, MN, MW, MX, MY, MZ, NA, NG, NI, NO, NZ, OM, PA, PE, PG, PH, PL, PT, QA, RO, RS, RU, RW, SA, SC, SD, SE, SG, SK, SL, SM, ST, SV, SY, TH, TJ, TM, TN, TR, TT, TZ, UA, UG, US, UZ, VC, VN, ZA, ZM, ZW.

(84) Designated States (unless otherwise indicated, for every kind of regional protection available): ARIPO (BW, GH, GM, KE, LR, LS, MW, MZ, NA, RW, SD, SL, ST, SZ, TZ, UG, ZM, ZW), Eurasian (AM, AZ, BY, KG, KZ, RU, TJ, TM), European (AL, AT, BE, BG, CH, CY, CZ, DE, DK, EE, ES, FI, FR, GB, GR, HR, HU, IE, IS, IT, LT, LU, LV, MC, MK, MT, NL, NO, PL, PT, RO, RS, SE, SI, SK, SM, TR), OAPI (BF, BJ, CF, CG, CI, CM, GA, GN, GQ, GW, KM, ML, MR, NE, SN, TD, TG).

Declarations under Rule 4.17:

- as to applicant's entitlement to apply for and be granted a patent (Rule 4.17(ii))
- as to the applicant's entitlement to claim the priority of the earlier application (Rule 4.17(iii))
- of inventorship (Rule 4.17(iv))

Published:

- with international search report (Art. 21(3))
- before the expiration of the time limit for amending the claims and to be republished in the event of receipt of amendments (Rule 48.2(h))

(54) Title: ELECTRICITY GENERATION DEVICES USING FORMIC ACID

Formic Acid to Hydrogen

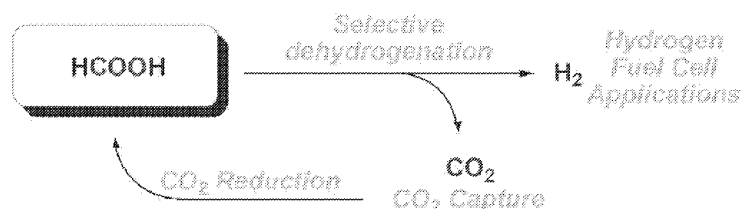


FIG. 1

(57) Abstract: The present disclosure relates generally to new forms of portable energy generation devices and methods. The devices are designed to convert formic acid into released hydrogen, alleviating the need for a hydrogen tank as a hydrogen source for fuel cell power.

**ELECTRICITY GENERATION DEVICES USING FORMIC ACID
CROSS-REFERENCE TO RELATED APPLICATIONS**

[0001] This application claims the benefit of U.S. Provisional Application No. 62/267,645 filed December 15, 2015, which is hereby incorporated by reference in its
5 entirety.

BACKGROUND

[0002] Electrical automobiles are gradually replacing traditional gasoline-based counterparts, because of their clean and renewable nature. However, two current approaches (Li-battery technology and hydrogen fuel cells technology) suffer
10 significant limitations. For example, the recharging time (multiple hours) for Li-batteries can be too long for some users, and the power capacity is not large enough for a long driving range. Additionally, the storage and transportation of hydrogen gas for use of hydrogen fuel cell technology raises serious safety concerns. The pressure of a hydrogen tank in hydrogen fuel cell car can be up to 600 times larger than the
15 atmosphere pressure, and hydrogen gas is extremely flammable.

SUMMARY

[0003] The present disclosure relates generally to new forms of portable energy generation devices and methods. The devices are designed to covert formic acid into released hydrogen, alleviating the need for a hydrogen tank as a hydrogen source for
20 fuel cell power. This technology is clean and renewable and overcomes the limitations of Li-batteries and hydrogen tanks.

BRIEF DESCRIPTION OF THE DRAWINGS

[0004] FIG. 1 shows a schematic view of one embodiment for converting formic acid to hydrogen.

25 [0005] FIG. 2 shows a prototype of an electric car that uses conversion of formic acid to hydrogen to power a fuel cell.

[0006] FIG. 3 shows a schematic of a fuel cell system that is powered using hydrogen derived from formic acid.

[0007] FIG. 4 shows a blown apart view of the schematic of FIG. 3.

DETAILED DESCRIPTION

[0008] The present methods and devices address alternate electricity options based on production of hydrogen from formic acid. Formic acid is a naturally-
5 occurring product and is relatively safe in low concentrations. The HCO_2H molecule is also a precursor for some fuel production processes. Rich in hydrogen and carbon, it is a liquid in atmospheric temperatures. The formic acid molecule also decomposes with heat into simple carbon dioxide and water. Various methods of converting formic acid to hydrogen are contemplated for use in the methods and devices
10 described herein. By way of example, PCT Application No. PCT/US14/67546, claiming benefit to U.S. Provisional 61/910,530 filed December 2, 2013, described a method for the conversion of formic acid (FA) into hydrogen.

[0009] The decomposition of formic acid to H_2 and CO_2 is thermodynamically favored, but the energy barrier is high and the selectivity is low (for the formation of
15 H_2O and CO). Thus, suitable catalysts are selected for more efficient hydrogen generation from formic acid, rather than for the formation of H_2O and CO . See process outlined in FIG. 1.

[0010] This figure illustrates a hydrogen generation system based on the concept of employing carbon dioxide as a hydrogen carrier. Utilizing CO_2 as a medium for
20 hydrogen storage relies on the use of efficient catalysts for both hydrogenation of CO_2 and selective dehydrogenation of formic acid. Novel catalysts based on pincer ligands are used with good selectivity and high turnover numbers. This technology allows the use of formic acid in connection with fuel cells without the associated problems presented by hydrogen tanks (including their pressure, storage, and weight).

25 [0011] Fuel cell systems provide a promising, cleaner, and quieter way to create energy and electricity. A fuel cell system produces electrical energy as a main product by combining a fuel source of liquid, gaseous, or solid hydrogen with a source of oxygen, such as oxygen in the air or compressed oxygen. A fuel cell system has several outputs in addition to electrical power. For example, thermal power
30 (heat), water, and oxygen-depleted air are produced as by-products. These by-products are less harmful than other toxic emissions from some of the current power generation and/or gasoline burning processes.

[0012] Formic acid is a relatively non-toxic chemical, which can be used as a food additive as approved by FDA. It is one of the major products formed in biomass processing and can be a convenient hydrogen carrier for fuel cells designed for portable electricity generation and use. The decomposition of formic acid into hydrogen is a promising way to solve the difficulty of hydrogen gas storage, which has severely limited the "hydrogen economy." A sustainable cycle can be envisioned using formic acid to supply hydrogen.

[0013] To store hydrogen, hydrogen and CO₂ are added together to form formic acid. To release hydrogen, formic acid is decomposed into hydrogen and CO₂. The hydrogen storage density of formic acid is relatively high. In one example, it can be about 53g H₂/L. This amount can be suitable for automobile and portable applications. An efficient catalytic system for hydrogen generation from formic acid (as outlined in U.S. Serial No. PCT/US14/67546, claiming benefit to U.S. Provisional 61/910,530 filed December 2, 2013) is useful in the applications. The reaction rate (turnover frequency >10,000/hr) and lifetime (turnover number over 1,000,000) of formic acid that can be achieved now renders the technology useful for automobile and other mobile applications.

[0014] Because formic acid is low cost, nonflammable, readily available as exhaust from fuel cells, and contains only water and CO₂, an automobile or other electricity-requiring device or system constructed based on the formic acid technology can be environmentally-friendly. The system is unlikely to explode or ignite. Because of its nonflammable nature, formic acid in an automobile, for example, can easily reach a driving range of 3000 miles, which is 8-10 times better than current automobiles. Such a long driving range can be very important for many applications (e.g., such as for military applications or other long-range uses). In addition, the technology can be used independently or integrated with electrical automobiles in order to provide an instant power source so that the long battery charging time can be avoided.

[0015] By way of example, a 12W hydrogen fuel cell model car based on this technology was built and is the first self-sustainable formic acid model car. One example is illustrated by FIG. 2. Similar systems for automobiles with higher power (400W, 2KW, and 35KW) are provided herein as well.

[0016] Provided herein is a formic acid hydrogen fuel cell electricity generation system. The system provides the core technology that used to construct automobiles

or other motor/electricity-requiring vehicles or other equipment based on the formic acid technology.

[0017] Examples of a system that uses formic acid for powering a fuel cell are illustrated by FIGS. 3 and 4. By way of example, the fuel cell is used to power a battery. Optionally, the battery is used to power one or more drive motors of an automobile. Although this disclosure is generally directed toward the use of this technology in connection with automobiles, it should be understood that the technology may be used in connection with any electricity-requiring device, including but not limited to hydrogen generators (without fuel cells); electricity generators; other mobile applications, such as cell phone/laptop power source/charger, drones, transportation uses, such as electric cars/airplanes/other vehicles and other equipment. These examples are intended only to be illustrative only and are non-limiting examples of potential uses of the technology described herein.

[0018] As illustrated, a formic acid reservoir is optionally provided for containing an appropriate amount of formic acid. It is generally expected that the formic acid will be in liquid form, but other options are possible and considered within the scope of this disclosure. The formic acid reservoir may be fluidly connected to a reaction chamber. For example, a conduit or inlet valve may be provided for delivering formic acid from the formic acid reservoir to the reaction chamber. In one example, the formic acid reservoir may be fluidly connected to the reaction chamber via a feed pump. The feed pump can move the formic acid into the reaction chamber.

[0019] In addition to being fed with formic acid, the reaction chamber may also be fed with heat. The heat may be delivered to the reaction chamber via a heat pipe from the fuel cell. Additionally or alternatively, heat from operation of the fuel cell is delivered to the formic acid reservoir. During operation, a fuel cell generates heat as one of its byproducts. The systems may use that generated heat in order to provide heat required by the reaction chamber. The reaction chamber converts the formic acid it receives into hydrogen (H_2) and carbon dioxide (CO_2). One example of a method for this conversion is described in co-pending application U. S. Provisional No. 62/262,247, filed on December 2, 2015, entitled "Utilization and Recycling of Emitted Carbon Dioxide," the entire contents of which are incorporated hereby reference. It is possible for one or more catalysts to be used during the conversion process. The one or more catalysts may include but are not limited to homogeneous or heterogeneous Fe, Ru, Ir, Pd, Ag catalysts, other catalysts, or combinations thereof.

It should be understood, however, that other methods for conversion of formic acid into hydrogen are possible and considered within the scope of this disclosure.

[0020] As shown, the reaction chamber may include a stir system for mixing the reactants. The reaction chamber is optionally associated with or surrounded by a heat insulator to prevent or reduce heat from undesirably escaping. The reaction chamber may also include an exhaust gas react furnace to transfer the heat to the reactor. The carbon dioxide may be moved into a tank (with or without filter) for other uses or for recycling into the reactor. The reaction chamber is optionally used in connection with a heater control. The heater control controls the heat to be delivered to the reaction chamber via an electric heater or the fuel cell.

[0021] The electricity generation system optionally includes a delivery system for moving the hydrogen that is recovered from the formic acid into the fuel cell. In one example, the delivery system includes one or more filters. For example, the delivery system includes one or more hydrogen tanks. Optionally, the delivery system includes a flowmeter. The one or more filters act to filter the hydrogen gas as it leaves the reaction chamber. The one or more tanks are used to store the hydrogen, carbon dioxide, or both separately that leave the reaction chamber. It is possible for the flowmeter to be used to control the flow of hydrogen that is delivered to the fuel cell. Delivery of the hydrogen to the fuel cell provides the input that the fuel cell needs in order to generate electricity. As shown by FIG. 4, the fuel cell also receives an oxygen input.

[0022] The fuel cell optionally cooperates with a power converter to convert electricity generated by operations of the fuel cell to an appropriate current for delivery to a battery. In one example, the power converter is optionally a DC/DC converter. The converted power is optionally delivered to a battery. The battery may be any appropriate battery necessary for powering the electric device to be powered. In one example, the battery is an electric car battery for powering an electric automobile.

[0023] Power from the battery is optionally delivered to one or more drive motors. By way of example, the one or more drive motors may be drive motors of an automobile. Power from the battery is optionally delivered to one or more ultra-capacitors. The one or more ultra-capacitors, for example, power one or more of the drive motors. Power from the battery is optionally delivered to the heater control

and/or the feed pump. The feed pump then powers the pump's movement of formic acid through the system.

[0024] In use, there may be provided a method for generating electricity for powering a fuel cell using formic acid. The method may include (a) providing a source of formic acid, a reaction chamber, and a fuel cell that generates electricity; (b) delivering formic acid to the reaction chamber, wherein the reaction chamber causes the formic acid to convert to hydrogen and carbon dioxide; (c) delivering the converted hydrogen to the fuel cell; and (d) powering a battery by electricity generated by the fuel cell.

10 [0025] Changes and modifications, additions and deletions may be made to the structures and methods recited above and shown in the drawings without departing from the scope or spirit of the disclosure or the following claims.

[0026] Disclosed are materials, compositions, and components that can be used for, can be used in conjunction with, can be used in preparation for, or are products of the disclosed methods and compositions. These and other materials are disclosed herein, and it is understood that when combinations, subsets, interactions, groups, etc. of these materials are disclosed that while specific reference of each various individual and collective combinations and permutations of these compositions may not be explicitly disclosed, each is specifically contemplated and described herein.

20 For example, if a method is disclosed and discussed and a number of modifications that can be made to a number of compositions including the method are discussed, each and every combination and permutation of the method, and the modifications that are possible are specifically contemplated unless specifically indicated to the contrary.

25 [0027] Likewise, any subset or combination of these is also specifically contemplated and disclosed. This concept applies to all aspects of this disclosure including, but not limited to, steps in methods using the disclosed compositions. Thus, if there are a variety of additional steps that can be performed, it is understood that each of these additional steps can be performed with any specific method steps or combination of method steps of the disclosed methods, and that each such combination or subset of combinations is specifically contemplated and should be considered disclosed.

30

What is claimed is:

1. An electricity generation device for powering a fuel cell using formic acid,
comprising:
 - 5 (a) a formic acid reservoir;
 - (b) a reaction chamber;
 - (c) a conduit for delivering formic acid from the formic acid reservoir to the reaction chamber;
 - (d) a fuel cell that generates at least electricity and heat as by-products;
- 10 wherein the reaction chamber is capable of receiving heat generated by operation of the fuel cell or from another heat source and promoting the formic acid to convert to hydrogen and carbon dioxide, wherein the initial heating is powered by a battery.
 - (e) a delivery system for moving converted hydrogen into the fuel cell; and
 - (f) a battery powered by electricity generated by the fuel cell.
- 15 2. The device of claim 1, further comprising a power converter for converting electricity generated via operation of the fuel cell to an appropriate current for delivery to the battery.
- 20 3. The device of any of the preceding claims, wherein the reaction chamber comprises a heating reaction chamber.
4. The device of any of the preceding claims, wherein the reaction chamber further comprises a heat insulator.
- 25 5. The device of any of the preceding claims, wherein the reaction chamber further comprises an exhaust gas react furnace.
6. The device of any of the preceding claims, wherein the reaction chamber further
- 30 comprises a stir system.
7. The device of any of the preceding claims, further comprising a heat pipe for delivering heat from the fuel cell to the reaction chamber, to the formic acid reservoir, or both.

8. The device of any of the preceding claims, wherein the delivery system for moving converted hydrogen into the fuel cell further comprises a flow meter.
- 5 9. The device of any of the preceding claims, further comprising a tank and filter system for storing the hydrogen and carbon dioxide leaving the reaction chamber.
10. The device of any of the preceding claims, wherein the battery powers one or more drive motors.
- 10 11. The device of any of the preceding claims, wherein the battery powers one or more drive motors of an automobile.
12. The device of any of the preceding claims, wherein the battery powers one or more ultra capacitors.
- 15 13. The device of claim 12, wherein the one or more ultracapacitors power one or more drive motors of an automobile.
- 20 14. The device of any of the preceding claims, further comprising a heating control.
15. The device of claim 14, wherein the heating control is powered by the battery.
16. The device of any of the preceding claims, further comprising a feed pump for moving the formic acid into and through the conduit for delivering the formic acid to the reaction chamber.
- 25 17. The device of claim 16, wherein the feed pump is powered by the battery.
- 30 18. The device of any of the preceding claims, wherein the reaction chamber expels carbon dioxide and delivers hydrogen to the delivery system

19. The device of any of the preceding claims, wherein the reaction chamber comprises formic acid, catalyst, and/or solvent and base, and generates hydrogen and carbon dioxide.
- 5 20. The device of claim 1, further comprising use of one or more catalysts or a combination of catalysts for the reaction, and wherein heat is delivered in order to increase the reaction rate.
21. An electricity generation device for powering a fuel cell using formic acid,
10 comprising:
(a) a formic acid reservoir;
(b) a reaction chamber;
(c) a fuel cell that generates electricity, wherein the reaction chamber is capable of using a catalyst and heat to convert the formic acid to hydrogen and carbon dioxide;
15 (d) a delivery system for moving converted hydrogen into the fuel cell; and
(f) a battery powered by electricity generated by the fuel cell.
22. A method for generating electricity for powering a fuel cell using formic acid,
comprising:
20 (a) providing a source of formic acid, a reaction chamber, and a fuel cell that generates electricity;
(b) delivering formic acid to the reaction chamber, wherein the reaction chamber causes the formic acid to convert to hydrogen and carbon dioxide;
(c) delivering the converted hydrogen to the fuel cell; and
25 (d) powering a battery by electricity generated by the fuel cell.

Formic Acid to Hydrogen

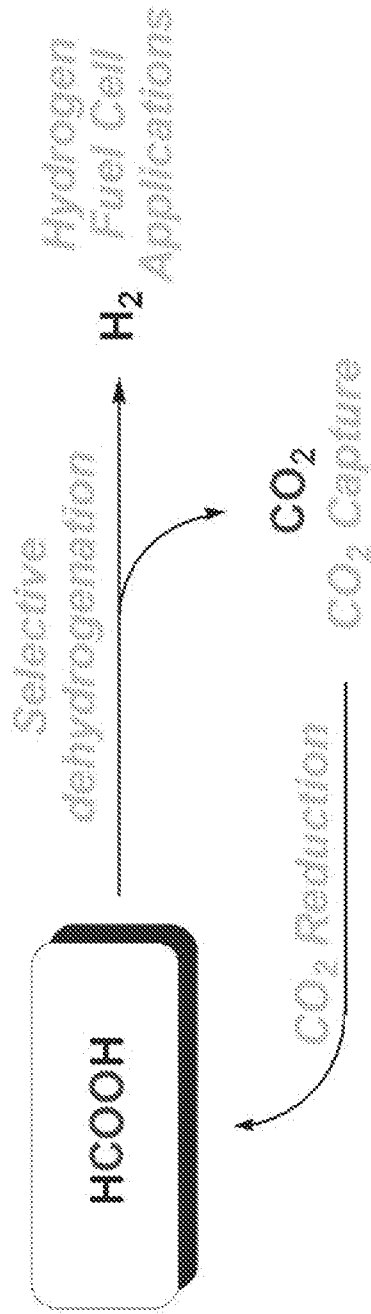


FIG. 1

Formic Acid to Hydrogen Fuel Cell Electric Car

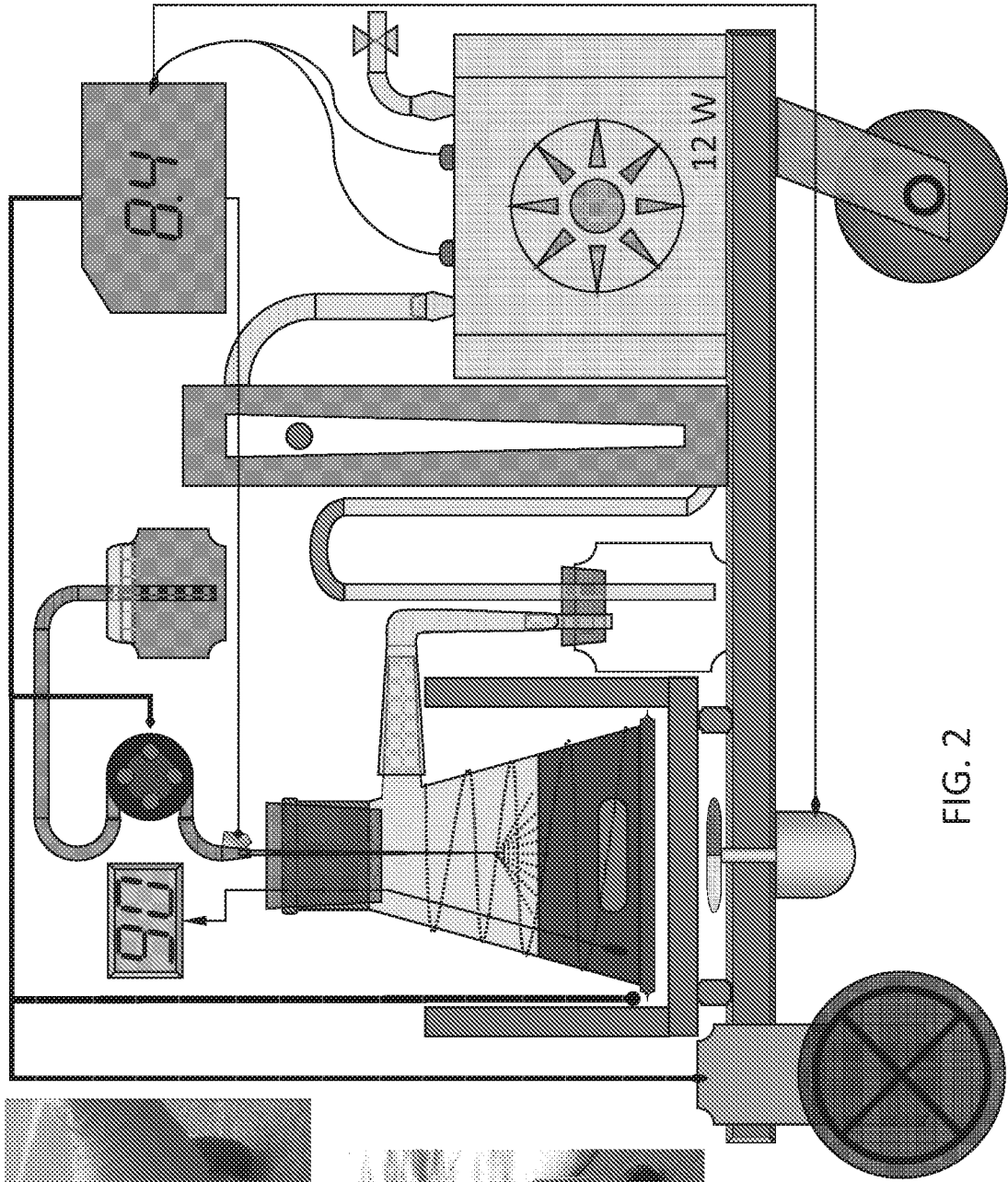
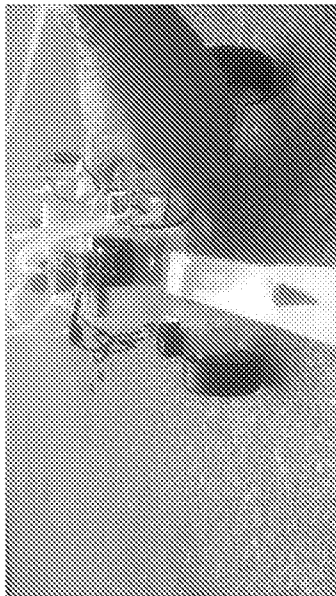


FIG. 2

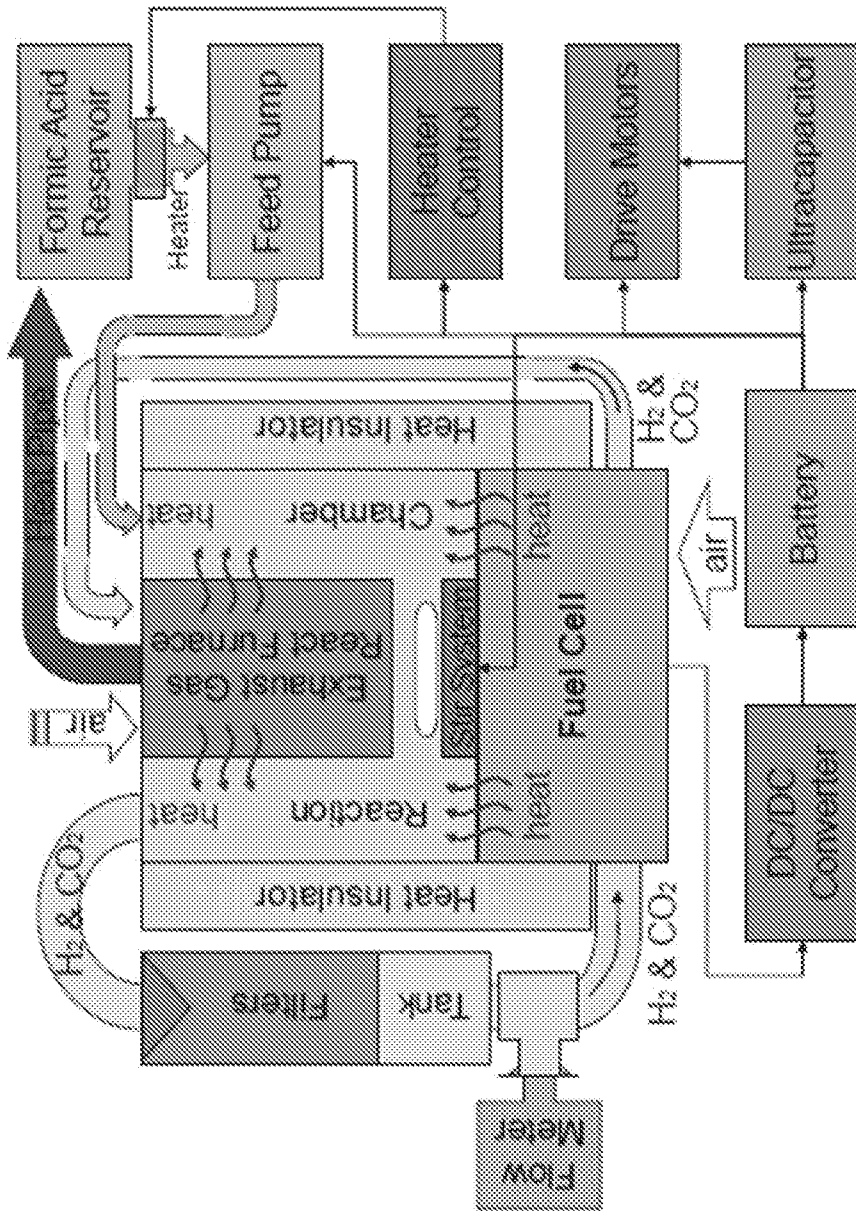


Figure 1. Formic acid hydrogen fuel cell electricity generation and power management designs for automobiles and other applications with removing CO₂.

FIG. 3

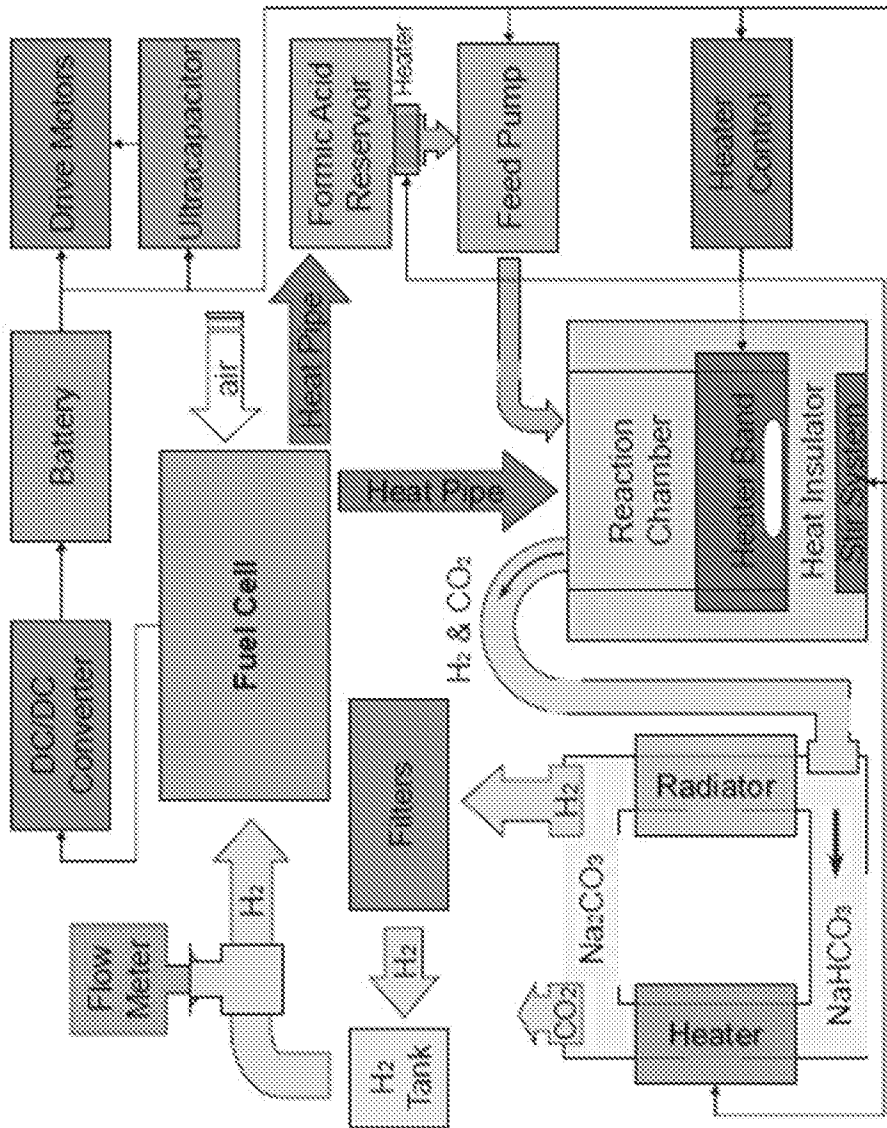


Figure 2. Formic acid hydrogen fuel cell electricity generation and power management designs for automobiles and other applications with device to remove CO₂.

FIG. 4

INTERNATIONAL SEARCH REPORT

International application No PCT/IB2016/057628

A. CLASSIFICATION OF SUBJECT MATTER
 INV. H01M8/0612 B01J19/00 B60L11/18 C01B3/26 H01G11/00
 H01M16/00 H01M8/04007 H01M8/04082 H01M8/04223 H01M8/04701
 H01M8/04302

According to International Patent Classification (IPC) or to both national classification and IPC

B. FIELDS SEARCHED

Minimum documentation searched (classification system followed by classification symbols)
 H01M B01J B60L C01B H01G

Documentation searched other than minimum documentation to the extent that such documents are included in the fields searched

Electronic data base consulted during the international search (name of data base and, where practicable, search terms used)

EPO-Internal, WPI Data

C. DOCUMENTS CONSIDERED TO BE RELEVANT

Category*	Citation of document, with indication, where appropriate, of the relevant passages	Relevant to claim No.
X	US 2013/004800 A1 (NAKAHARA MASARU [JP]) 3 January 2013 (2013-01-03) paragraphs [0056], [0062], [0093] - [0095], [0106] - [0122], [0142] - [0153], [0177] - [0180]; figures 1-9 -----	1,3,4,6, 8,10,11, 14-22

Further documents are listed in the continuation of Box C.

See patent family annex.

* Special categories of cited documents :

- "A" document defining the general state of the art which is not considered to be of particular relevance
- "E" earlier application or patent but published on or after the international filing date
- "L" document which may throw doubts on priority claim(s) or which is cited to establish the publication date of another citation or other special reason (as specified)
- "O" document referring to an oral disclosure, use, exhibition or other means
- "P" document published prior to the international filing date but later than the priority date claimed

"T" later document published after the international filing date or priority date and not in conflict with the application but cited to understand the principle or theory underlying the invention

"X" document of particular relevance; the claimed invention cannot be considered novel or cannot be considered to involve an inventive step when the document is taken alone

"Y" document of particular relevance; the claimed invention cannot be considered to involve an inventive step when the document is combined with one or more other such documents, such combination being obvious to a person skilled in the art

"&" document member of the same patent family

Date of the actual completion of the international search

3 March 2017

Date of mailing of the international search report

08/05/2017

Name and mailing address of the ISA/

European Patent Office, P.B. 5818 Patentlaan 2
 NL - 2280 HV Rijswijk
 Tel. (+31-70) 340-2040,
 Fax: (+31-70) 340-3016

Authorized officer

Schwake, Andree

INTERNATIONAL SEARCH REPORT

International application No.
PCT/IB2016/057628

Box No. II Observations where certain claims were found unsearchable (Continuation of item 2 of first sheet)

This international search report has not been established in respect of certain claims under Article 17(2)(a) for the following reasons:

1. Claims Nos.:
because they relate to subject matter not required to be searched by this Authority, namely:

2. Claims Nos.:
because they relate to parts of the international application that do not comply with the prescribed requirements to such an extent that no meaningful international search can be carried out, specifically:

3. Claims Nos.:
because they are dependent claims and are not drafted in accordance with the second and third sentences of Rule 6.4(a).

Box No. III Observations where unity of invention is lacking (Continuation of item 3 of first sheet)

This International Searching Authority found multiple inventions in this international application, as follows:

see additional sheet

1. As all required additional search fees were timely paid by the applicant, this international search report covers all searchable claims.
2. As all searchable claims could be searched without effort justifying an additional fees, this Authority did not invite payment of additional fees.
3. As only some of the required additional search fees were timely paid by the applicant, this international search report covers only those claims for which fees were paid, specifically claims Nos.:

4. No required additional search fees were timely paid by the applicant. Consequently, this international search report is restricted to the invention first mentioned in the claims; it is covered by claims Nos.:

3, 4, 6, 8, 10, 11, 14-22(completely); 1(partially)

Remark on Protest

- The additional search fees were accompanied by the applicant's protest and, where applicable, the payment of a protest fee.
- The additional search fees were accompanied by the applicant's protest but the applicable protest fee was not paid within the time limit specified in the invitation.
- No protest accompanied the payment of additional search fees.

FURTHER INFORMATION CONTINUED FROM PCT/ISA/ 210

This International Searching Authority found multiple (groups of) inventions in this international application, as follows:

1. claims: 3, 4, 6, 8, 10, 11, 14-22(completely); 1(partially)

The subject-matter of claims 1, 3, 4, 6, 8, 10, 11, 14-22.

2. claims: 2, 12, 13(completely); 1(partially)

The subject-matter of claims 1, 2, 12, 13.

3. claims: 5, 7(completely); 1(partially)

The subject-matter of claims 1, 5, 7.

4. claims: 9(completely); 1(partially)

The subject-matter of claims 1, 9.

INTERNATIONAL SEARCH REPORT

Information on patent family members

International application No
PCT/IB2016/057628

Patent document cited in search report	Publication date	Patent family member(s)	Publication date	
US 2013004800	A1	03-01-2013	EP 2540664 A1	02-01-2013
			JP 2013032271 A	14-02-2013
			US 2013004800 A1	03-01-2013
