

(12) INTERNATIONAL APPLICATION PUBLISHED UNDER THE PATENT COOPERATION TREATY (PCT)

(19) World Intellectual Property
Organization
International Bureau



(10) International Publication Number
WO 2015/004535 A2

(43) International Publication Date
15 January 2015 (15.01.2015)

- (51) International Patent Classification: Not classified
- (21) International Application Number: PCT/IB2014/002255
- (22) International Filing Date: 3 July 2014 (03.07.2014)
- (25) Filing Language: English
- (26) Publication Language: English
- (30) Priority Data: 61/843,107 5 July 2013 (05.07.2013) US
- (71) Applicant: KING ABDULLAH UNIVERSITY OF SCIENCE AND TECHNOLOGY [SA/SA]; 4700 King Abdullah University Of Science And, Technology, Thuwal, 23955-6900 (SA).
- (72) Inventor: EITELHUBER, Georg; 4700 King Abdullah University Of Science, And Technology, Thuwal, 23955-6900 (SA).
- (81) Designated States (unless otherwise indicated, for every kind of national protection available): AE, AG, AL, AM, AO, AT, AU, AZ, BA, BB, BG, BH, BN, BR, BW, BY,

BZ, CA, CH, CL, CN, CO, CR, CU, CZ, DE, DK, DM, DO, DZ, EC, EE, EG, ES, FI, GB, GD, GE, GH, GM, GT, HN, HR, HU, ID, IL, IN, IR, IS, JP, KE, KG, KN, KP, KR, KZ, LA, LC, LK, LR, LS, LT, LU, LY, MA, MD, ME, MG, MK, MN, MW, MX, MY, MZ, NA, NG, NI, NO, NZ, OM, PA, PE, PG, PH, PL, PT, QA, RO, RS, RU, RW, SA, SC, SD, SE, SG, SK, SL, SM, ST, SV, SY, TH, TJ, TM, TN, TR, TT, TZ, UA, UG, US, UZ, VC, VN, ZA, ZM, ZW.

- (84) Designated States (unless otherwise indicated, for every kind of regional protection available): ARIPO (BW, GH, GM, KE, LR, LS, MW, MZ, NA, RW, SD, SL, SZ, TZ, UG, ZM, ZW), Eurasian (AM, AZ, BY, KG, KZ, RU, TJ, TM), European (AL, AT, BE, BG, CH, CY, CZ, DE, DK, EE, ES, FI, FR, GB, GR, HR, HU, IE, IS, IT, LT, LU, LV, MC, MK, MT, NL, NO, PL, PT, RO, RS, SE, SI, SK, SM, TR), OAPI (BF, BJ, CF, CG, CI, CM, GA, GN, GQ, GW, KM, ML, MR, NE, SN, TD, TG).

Published:

- without international search report and to be republished upon receipt of that report (Rule 48.2(g))



WO 2015/004535 A2

(54) Title: SYSTEM AND METHOD FOR CONVEYING AN ASSEMBLY

(57) Abstract: An apparatus, system, and method for conveying an assembly along a track. A rail can include a first planar side, a second planar side, and a third planar side. The first, second, and third planar sides can be arranged to form at least two acute angles. A carriage assembly can include a drive wheel and at least two roller sets. The drive wheel can be configured to contact the first planar side and is configured to translate the carriage assembly along the rail. The at least two roller sets can be configured to contact the two other sides to maintain the carriage in contact with the rail.

SYSTEM AND METHOD FOR CONVEYING AN ASSEMBLY

CLAIM OF PRIORITY

This application claims priority to U.S. Provisional Patent Application No. 61/843,107, filed July 5, 2013, which is incorporated by reference in its entirety.

TECHNICAL FIELD

The present invention is directed to a system and method for translating an assembly along a track, such as a duster for dusting a photovoltaic array.

BACKGROUND

The efficiency of a solar panel is measured by the ratio of the amount of sunlight it receives to the amount of electricity it generates. After a solar panel is installed, dust and other debris typically begins to accumulate on the solar panel surfaces. Dust accumulated on a solar panel reduces the number of photons reaching the photovoltaic elements and thereby reduces the power the solar panel can generate during a unit of time. In other words, dust can significantly reduce the efficiency of the solar panel. Therefore, many systems include a solar panel cleaning system to improve the efficiency of solar panels.

Solar panel cleaners in the prior art can be categorized as manual and automated types. Manual cleaners generally include manually operated sweeping brushes, power washers, and powered brushes. Automated cleaners generally include buffer-style and rotating bristle-style devices. Prior rotating bristle-style cleaners generally use a system for translating the brush while the rotational axis of the brush is maintained in an orientation that is perpendicular to the direction of travel. In other words, the top and bottom of the brush sweep across the panel at an even rate without one moving out ahead of the other. Complicated and mechanically inefficient systems are typically required to maintain the rotating brush in a perpendicular orientation as it traverses the solar panels. Changes in temperature and other variables can affect the functioning of such dusters.

Typically, most solar panel cleaning systems also use liquid cleaning solutions or water for cleaning the solar panels. The moistened dust and debris may become sticky and adhere to the surfaces of the solar panel, which can complicate the cleaning process. This is especially true in hot arid regions where solar panels are often found. A further

problem with using water in arid regions is in maintaining or supplying water at the site of the solar array.

SUMMARY

In an aspect, a track system can include a rail and a carriage assembly. The rail can include a first planar side, a second planar side, and a third planar side. The first, second, and third planar sides can be arranged to form at least two acute angles. The carriage assembly can include a drive wheel and at least two roller sets. The drive wheel can be configured to contact the first planar side and can be configured to translate the carriage assembly along the rail. A first roller set of the at least two roller sets can be configured to contact the second planar side, and a second roller set of the at least two roller sets can be configured to contact the third planar side.

In some embodiments, the track system can include a motor. The motor can be configured to actuate the drive wheel and translate the carriage assembly. The drive wheel can be a load bearing roller. The carriage assembly can further include a pivot. The pivot can be configured to pivot an attached component. In other embodiments, the drive wheel and the at least two rollers can be configured to maintain the carriage assembly in contact with the rail.

In some embodiments, the rail can be formed of a cold rolled metal, for example cold rolled steel, and/or the rail can be formed of an extruded metal, such extruded aluminum. The at least two rollers can comprise a silicon material, a metal material and/or a polymer material. The rail can be solid or hollow. The rail can include internal support structures and hollow areas.

In another aspect, a conveying method can include the steps of providing a rail, providing a carriage assembly, and translating the carriage assembly along the rail. The rail can include a first planar side, a second planar side, and a third planar side. The first, second, and third planar sides can be arranged to form at least two acute angles. The carriage assembly can include a drive wheel and at least two roller sets. The drive wheel can be configured to contact the first planar side. A first roller set of the at least two roller sets can be configured to contact the second planar side. A second roller set of the at least two roller sets can be configured to contact the third planar side.

In some embodiments, the method can include actuating a motor the drive wheel to translate the carriage assembly. The drive wheel can be a load bearing roller. The drive wheel and the at least two rollers maintain the carriage assembly in contact with the rail.

In embodiments, the method can include pivoting an attached component, such as an assembly. The rail can be formed of a cold rolled metal and/or an extruded metal. The drive wheel and the at least two rollers comprise a silicon material, a metal material, and/or a polymer material.

In an aspect, a cleaning apparatus can include a brush assembly, a drive, and a pivot. The brush assembly can include at least one rotatable brush having a rotational axis. The drive can be configured to translate the brush assembly parallel to a track. The pivot can be configured to pivot the rotational axis in a plane parallel to the track and the rotational axis.

In embodiments, the cleaning apparatus can include a trailing assembly slidably attached to the brush assembly. The trailing assembly can be configured to translate along a second track. The pivot can be configured to allow the brush assembly to pivot in the plane to an angle that is not perpendicular to the track. The angle can be between 30 deg. and 80 deg., between 40 deg. and 75 deg., between 50 deg. and 70 deg., and/or between 55 deg. and 65 deg. The angle can be less than 60 deg.

In some embodiments, the drive can include a drive motor. The brush assembly can include a brush motor configured to rotate the at least one rotatable brush about the rotational axis. The at least one rotatable brush can include a sweeping member. In some embodiments, the sweeping member can have a bristle pattern parallel to the rotational axis. The sweeping member can comprise a polymer, a natural fiber, and/or metal bristles. The sweeping member can comprise a foam or spongy material.

In embodiments, the at least one rotatable brush can include a shaft extending along the rotational axis and a sweeping member coupled to the shaft and configured to be rotatable about the rotational axis. The pivot can be configured to rotate the shaft clockwise and/or counter-clockwise, as well as in a plane parallel to a solar panel or other element such as a window or mirror. The rotational axis is not perpendicular to the direction of the track while the cleaning apparatus is in an operational configuration.

In another aspect, a method of cleaning can include the steps of providing a brush assembly, pivoting the rotational axis of a rotatable brush, and translating the brush assembly parallel to a track. The brush assembly can include at least one rotatable brush

having a rotational axis. The plane defined by pivoting the rotational axis can be in a plane parallel to the track.

In some embodiments, the method can include providing a trailing assembly slidably attached to the brush assembly and translating the trailing assembly along a second track. In other embodiments, the method can include pivoting the brush assembly in the plane to an angle that is nonperpendicular to the track. The angle can be between 30 deg. and 80 deg., between 40 deg. and 75 deg., between 50 deg. and 70 deg., and/or between 55 deg. and 65 deg. The angle can be less than 60 deg.

In other embodiments, the method can include operating a brush motor to rotate the at least one rotatable brush about the rotational axis. The at least one rotatable brush can include a sweeping member having a bristle pattern parallel to the rotational axis.

In an aspect, a photovoltaic array can include a rail and a solar panel mounted to the rail. The rail can include a first planar side, a second planar side, and a third planar side. The first, second, and third planar sides can be arranged to form at least a first acute angle and a second acute angle.

In some embodiments, the rail can be formed of a cold rolled metal and/or an extruded metal.

In some embodiments, the array can further include a carriage assembly and a brush assembly. The carriage assembly can include a pivot, a drive wheel, and at least two roller sets. The brush assembly can include at least one rotatable brush having a rotational axis. The brush assembly can be pivotally attached to the carriage assembly.

In other embodiments, the drive wheel can be configured to contact the first planar side and can be configured to translate the carriage assembly along the rail. A first roller set of the at least two roller sets can be configured to contact the second planar side. A second roller set of the at least two roller sets can be configured to contact the third planar side.

In yet other embodiments, the solar panel can be further mounted to a second rail. The rail and the second rail can be in a plane substantially parallel to a solar panel. The second rail can include three planar sides arranged to form at least a third acute angle and a fourth acute angle.

In some embodiments, the array can include a trailing carriage assembly slidably attached to the brush assembly. The trailing carriage can include at least three roller sets. The at least three roller sets include at least one drive wheel.

In other embodiments, the rotational axis can be nonperpendicular to the rail when the photovoltaic array is in an operational configuration.

In yet other embodiments, the array can include a housing for containing a brush assembly. The brush assembly can include at least one rotatable brush having a rotational axis. The brush assembly can be pivotally attached to a carriage assembly.

In some embodiments, the array can include a mounting frame configured to maintain the solar panel in relation to the rail. The mounting frame can include a c-shape cross section and a material for securing the solar panel. The material can be a polymer, an elastomer, an adhesive, and/or a resin.

In an aspect, a track system can include a channel and a carriage. The channel can include a first planar side and a second planar side. The first and second planar sides can be arranged at an acute angle. The carriage assembly can include a drive wheel and at least two rollers. The drive wheel can be in contact with the first planar side and can be configured to translate the carriage assembly along the channel. At least one of the at least two rollers can be in contact with the second planar side.

In some embodiments, the carriage assembly can further include a pivot. In other embodiments, the track system can include a means for dust abatement. The means for dust abatement can include a flexible hood and/or bristles, for instance, along the top of the channel. The means can include egress apertures along the bottom and/or sides of the channel. Additionally, a skirt around the pivot and sliding members can be utilized to prevent dust and debris from falling into the channel. Further, the assembly components can be disposed in a housing to seal them from dust and dirt.

In other embodiments, the system can include a brush assembly. The brush assembly can include one or more rotatable brushes, each having a rotational axis. The pivot can be configured to pivot the brush assembly.

In yet other embodiments, the system can include a panel. The panel can be a photovoltaic solar panel, a window, and/or a mirror. The panel can be mounted to the channel. The top of the channel can be substantially flush with the panel. The pivot can be configured to allow pivoting the rotational axis in a plane parallel to the panel. The carriage assembly can be configured to translate the brush assembly in a direction that is nonperpendicular to the rotational axis.

In another aspect, a method of conveying can include the steps of providing a channel, providing a carriage assembly, and translating the carriage assembly along the

channel. The channel can include a first planar side, a second planar side, and an open face. The first and second planar sides can be arranged at an acute angle. The carriage assembly can include a drive wheel and at least two rollers. The drive wheel can be in contact with the first planar side. At least one of the at least two rollers can be in contact with the second planar side.

In some embodiments, the carriage assembly can further include a pivot. The method can further include abating dust ingress into the channel.

In other embodiments, the method can include providing a brush assembly and pivoting the brush assembly. The brush assembly can include one or more rotatable brushes each having a rotational axis.

In yet other embodiments, the open face of the channel can be substantially flush with a panel. The method can further include pivoting the rotational axis in a plane parallel to the panel, and translating the brush assembly in a direction that is nonperpendicular to the rotational axis.

BRIEF DESCRIPTION OF THE DRAWINGS

Embodiments are further described in the detailed description which follows, in reference to the noted plurality of drawings by way of non-limiting examples of certain embodiments of the present invention, in which like numerals represent like elements throughout the several views of the drawings, and wherein:

Figure 1 depicts an exemplary system in an operational position.

Figures 2A-2C depict an exemplary system in initial, intermediate, and operational configurations.

Figures 3A and 3B depict an exemplary carriage assembly.

Figure 4 depicts an exemplary track and cleaning system.

Figure 5 depicts an exemplary cross section of a rail.

Figures 6A-6C depict exemplary configurations of rail cross sections.

Figure 7 depicts two views of an exemplary track.

Figures 8A and 8B depict cross sections of exemplary rails.

Figure 9 depicts an exemplary cross section of an external rail track.

Figure 10 depicts an exemplary cross section of an internal rail track.

Figure 11 depicts an exemplary embodiment of a photovoltaic array system.

Figure 12 depicts an exemplary embodiment of a photovoltaic array system.

Figure 13 depicts an exemplary embodiment of a photovoltaic array system.

Figure 14 depicts an exemplary implementation of a photovoltaic array system.

Figure 15 depicts a photovoltaic array with a central track system.

Figure 16 depicts a photovoltaic array during operation of the system.

Figure 17 depicts a photovoltaic array with an off-center track.

Figure 18 depicts a photovoltaic array during operation of the system.

Figure 19 depicts an overhead view and a cross sectional view of a photovoltaic array during operation of the system.

DETAILED DESCRIPTION

Exemplary embodiments described, shown, and/or disclosed herein are not intended to limit the claims, but rather, are intended to instruct one of ordinary skill in the art as to various aspects of the invention. Other embodiments can be practiced and/or implemented without departing from the scope and spirit of the claimed invention. As an example, the description below discusses panels primarily with respect to photovoltaic solar panels. Nonetheless, the term panel can mean a window, such as a skylight, a mirror, or any plane for which the cleaning system can be utilized.

Applicant hereby incorporates by reference in its entirety US Application No. 13/567,205, filed by Inventor Georg Eitelhuber on August 6, 2012. The application was published as US 2013/0037051 A1 on February 14, 2013. The language and embodiments of the application will not be repeated herein for the purpose of brevity.

An exemplary embodiment is shown schematically in Figure 1. The track and cleaning system (100) can have a brush assembly (102) with at least one rotatable brush (103) having a rotational axis. A drive can be configured to translate the brush assembly parallel to the rail (101). A carriage assembly (104) for translating the brush assembly can have a pivot, which can be configured to allow pivoting of the rotational axis in a plane parallel to the rails and the rotational axis, which is also parallel to panel (106). The pivoting action can further be aided by a trailing assembly (105), which can have another pivot that is slidably attached to the brush assembly. Directional arrow shows the direction of travel of the brush and carriage assemblies. The angle, θ , between the direction of travel and the rotational axis of the brushes can be less than ninety degrees when the duster is operating.

Figures 2A-2C show a cleaning system in an initial configuration, as well as two operational configurations. As the carriage assembly (204) is driven across the panel, the pivots in the carriage (204) and trailing (205) assemblies can allow the longitudinal axis of the brushes to rotate parallel to the panel. Initially, the brushes can overhang the trailing assembly. This distance of overhang can decrease as the brushes rotate into an operating position, as shown in Figures 2B and 2C.

An advantageous aspect of the system is the way the device can slide up into an angled position that can allow the top end to lead. This can allow dust and debris to fall forward and away from the brush-panel interface. The unique roller support on the bottom of the brush assembly can allow the system to be supported by a cart, always directly over the rail.

Leading the top edge of the brush assembly can dramatically increase effectiveness of the cleaning in several ways. The dust at the top need not be re-brushed many times on the way down after being dislodged, as can happen if the brush is constrained vertically.

Further, the bristle pattern on the brushes can be straight instead of spiral. This can facilitate flicking the dust and debris from the surface, rather than grinding them across the panel surface by lateral relative velocity of a bristle spiral. Yet because of the nonperpendicular angle, with respect to the direction of travel, dust and debris can still be directed towards the bottom edge more rapidly.

In an embodiment, the solar panel cleaning system can incorporate one or more support assemblies to support the brushes. The system can also have one or more motors to operate the rotatable brushes and/or a drive wheel. The rotatable brushes can move across a panel in a direction, for example as shown by the directional arrows in Figures 1-4, and/or in the opposite direction. Additionally, the rotatable brushes can pivot to a certain degree across the surface.

When in a run position, i.e. an operational position, the angle θ between the direction of travel, defined by the direction of the track, and the rotational axis, defined by the longitudinal axis of one or more of the brushes, can be between zero and 180 degrees. When the brushes are in rest position, the rotational axis can be perpendicular to the rails. Further, the rotatable brushes can be rotated counter-clockwise and/or clockwise from a rest position to reach an operating position.

The embodiment of Figure 2C shows an operating configuration where the angle has been defined by the length of the brush assembly. Once the sliding member reaches the end of the brush assembly, the trailing assembly can be pulled by the driven carriage assembly at a defined angle. The embodiment of Figure 2B shows an operating configuration in which the brush assembly is allowed to pivot until an equilibrium angle is achieved. The mechanical advantages in the embodiments are manifold. For example, the tracks can have very large tolerances for lateral distance apart, and the brush can simply find its own angle comfortably. For straight brushes, conversely, such changes in the lateral angle would result in the system pulling itself apart. Exemplary operating angles can include 30 to 80 degrees, 40 to 75 degrees, 50 to 70 degrees, 55 to 65 degrees, and/or less than 60 degrees.

Figures 3A and 3B are an exploded view and a substantially assembled depiction of the carriage assembly (300). The carriage can have one or more drive wheels. In the exemplary embodiment of Figure 3, drive wheel (301) can be attached to motor (303) by means of a coupling (304). Rollers (302) can form a triangular shape when assembled so as to hold tight to a rail with a triangular cross section. The term roller herein can mean wheel, caster, bearing, roller bearing, and/or other elements. The carriage can further have a pivot (305) mounted to a pivot plate (306) or be otherwise mounted.

The triangular shape of the rollers is shown in the exemplary cleaning system (400) of Figure 4. As can be seen, carriage assembly (402) can be configured to hold tight onto rails (401), which have a triangular cross section. A closer view of the cross section of the rail, including hollow areas and exemplary internal support structures, can be seen in Figure 5.

Referring again to Figure 4, a brush assembly can frame rotatable brushes (403) and be attached to pivots (404). The brush assembly can thereby be attached to the drive wheel, via the carriage assembly, and to the trailing assembly (408), via a slidable pivot (407). The rotatable brushes can include a shaft and a sweeping member. The sweeping member can be made of bristles comprising bristles, such as hair, plastic, and/or metal bristles. Alternatively, the sweeping member can be made of foam and/or sponge.

A brush assembly motor (406) can be used to actuate and/or rotate the rotatable brushes about their longitudinal axes. The shaft can be coupled to a drive transmission. The brushes can rotate about their axes such that the part of the brush in contact with the surface moves in the same direction as the direction of travel of the brush assembly

and/or in the opposite direction. The carriage assembly can be coupled to a drive motor (405). Although not shown in Figure 4, the trailing assembly can also be coupled to a drive motor, for example to facilitate returning the brushes to a perpendicular orientation for storing and/or to facilitate reversing the direction of travel. Alternatively, the brushes can be configured to return to a perpendicular orientation, with respect to the track, simply by continuing to rotate the brushes as the drive motor translates the brush assembly to its starting position opposite the directional arrow.

In an embodiment, there can be one motor to operate the rotatable brushes. The brushes can be configured to rotate in the same direction synchronously or in two different directions through the use of gears. Gearing can be utilized to rotate different brushes of a multi-brush assembly at different speeds. In an embodiment there may be two or more motors. In such an embodiment, several brushes can be individually operated by different motors.

Figure 5 shows a rail having a triangular cross section. The shape and internal support features can be achieved an extrusion process. The rail can be, for example, extruded aluminum. Such is advantageous as the rail can be very stiff and rigid. Moreover, such a rail can have a closed configuration and can have good bending moment characteristics.

Figures 6A-6C show alternative rail configurations that can be advantageously fabricated from cold rolling processes. Such materials as cold rolled steel provide many benefits. The rails can be long, without seams, and very strong. Cold rolled rails can be very stiff, and ordinary cold rolled steel can be utilized inexpensively. Moreover, cold rolled metal can further act as a load bearing member to provide structural support, for example, to an entire photovoltaic array. The grey rectangles in Figures 6A-6C represent roller positions around the rail. An advantage to the triangular cross sections in Figures 5 and 6 is that the number of rollers for maintaining the carriage and/or trailing assemblies on the rails is minimized.

Figure 7 shows a track system (700) that can include a rail (701). Rollers (702) can be utilized on all three of the planar faces of the rail. The rail can include intermittent supports (703) and fasteners (704), such as bolts and/or rivets. The intermittent supports can be, though need not be, attached to a solar panel support or to a solar panel directly. If made for the track alone, and not a load bearing member, intermittent supports can be

used to attach the track to the main support. The supports can provide additional stiffness to the cross section of the rail by joining the two parts of the rail intermittently.

Although an advantage of the present system is in the minimization of the number of rollers and/or roller assemblies required, it may be advantageous and/or convenient to use rollers on four or five faces of a track. Figures 8A and 8B shows contemplated rail configurations, as well as various roller positions.

Two alternative embodiments are shown in Figures 9 and 10. Figure 9 shows an external rail configuration with a triangular cross section. A drive wheel is represented by the large rectangle on top and two sets of complimentary rollers are represented by the rectangles on either side of the rail. In Figure 10, the rollers are internal to the rail. An internal rail can be beneficial as it can be more compact than an external rail. Moreover, as will be shown, an internal rail can allow a brush system to be disposed close to the plane of a surface by mounting the rail such that the top of the channel is flush with the surface to be swept.

Figures 11 and 12 show two configurations for positioning a solar panel cleaning system (1100) close to the surface to be cleaned, for example a solar panel surface (1101). A primary roller (1102), i.e. a load-bearing drive wheel, is positioned on top of a triangular rail (1104). The top surface of the rail has been disposed in the plane of the solar panel surface. Complementary rollers (1103) are shown on either side of the triangular rail. In Figure 12, the rollers can be more compactly configured within the channel of the rail, dramatically reducing the profile of the cleaning system. Further, the configuration can allow the rail and cleaning system to be disposed very close to the surface to be cleaned. It can be advantageous to include means for dust abatement, such as a flexible hood or bristles along the top of the channel and/or egress apertures along the bottom of the channel. Additionally, a skirt around the pivot and sliding members can be utilized to prevent dust and debris from falling into the channel. Further, the assembly components can be disposed in a housing to seal them from dust and dirt.

The system can further include a self-cleaning system configured to automatically clean the one or more rotatable brushes. The system can be integrated with a housing for the brushes or merely attached to an edge of a panel array. A self-cleaning member can include a stiff brush, a row of rake-like tines, a bar, or other effective elements against which the rotating brushes can pass while rotating and thereby eliminate excess dust and debris buildup.

In Figure 13, similar to Figure 12, the rollers (1302) can be disposed within a channel. The internal rail can be adhered to the solar panels (1301), for example with resin (1303). Figure 14 additionally shows a pivot arm (1404) for attaching to a brush assembly. Rubber strips (1406) with circular cross sections can be attached inside support frame members (1405) having a C-shaped cross section. The members can be used to mount the solar panels (1401). The support frame can be bolted to a main array. The support frame can be part of the main array, for example as an integral part of an extrusion. As shown in Figure 14, a panel can be inserted straight (where there is clearance), and then can be let down to an angle of tilt. This can crush the rubber strips, and can thereby cause a locking force on the panels. The other end of the panel can be held down either by a resin stick, by small clamp, and/or by an adhesive. Conversely, the rubber bits can be attached to the panels themselves for substantially the same effect.

Figures 15-19 show various embodiments of a photovoltaic array. In Figure 15, solar panels (1501) can be mounted to support structures (1503) and track (1502). The track can be an internal rail, such as a channel, or an external rail. As shown in Figure 16, the cleaning system (1602) can be centrally mounted to a pivot connected to a carriage assembly which utilizes only a central track. Alternatively, trailing roller assemblies can be incorporated along the top, bottom, or top and bottom edges of the array of solar panels (1601), similar to embodiments shown in Figures 1-4.

Referring to Figures 17 and 18, the array of solar panels (1701) can include a track (1702) that is off center. Here also, the track can be an internal rail, such as a channel, or an external rail. The carriage and pivot (1804) can be utilized alone or in combination with other roller assemblies to translate and pivot the cleaning system (1803).

For a centrally located track, it can be advantageous to incorporate a trailing assembly with its own drive or motor, or to incorporate a rolling resistance to facilitate pivoting. A motor can be integrated with the pivot to produce a power-actuated pivot.

In Figure 19, solar panels (1901) can be supported by and mounted to rails (1905). Brush assembly (1903) can be translated and operated by carriage assembly (1902). The translation, orientation, and support of the brush can further be facilitated by a trailing roller assembly (1904). As shown above, the carriage and the trailing assembly can have substantially similar roller configurations.

The cleaning system can further include a monitoring device to determine whether a cleaning is required. The device can include a meter of the output of the solar panels.

Alternatively, the device can include sensor system for measuring the efficiency and/or effectiveness of the photovoltaic elements.

The monitoring device can be in communication with a control device. The control device can be configured to activate the cleaning system. The control device can be configured to send a signal indicating the status and/or the need for cleaning a panel. Additionally, the control device can be configured to send a signal indicating a fault or error in the array system, including in the cleaning system.

Details of one or more embodiments are set forth in the accompanying drawings and description. Other features, objects, and advantages will be apparent from the description, drawings, and claims. Although a number of embodiments of the invention have been described, it will be understood that various modifications may be made without departing from the spirit and scope of the invention. It should also be understood that the appended drawings are not necessarily to scale, presenting a somewhat simplified representation of various features and basic principles of the invention.

What is claimed is:CLAIMS

1. A track system, comprising:
 - a rail comprising a first planar side, a second planar side, and a third planar side, wherein the first, second, and third planar sides are arranged to form at least two acute angles;
 - a carriage assembly comprising a drive wheel and at least two roller sets, wherein the drive wheel is configured to contact the first planar side and is configured to translate the carriage assembly along the rail; and
 - wherein a first roller set of the at least two roller sets is configured to contact the second planar side, and a second roller set of the at least two roller sets is configured to contact the third planar side.
2. The track system of claim 1, further comprising a motor configured to actuate the drive wheel to translate the carriage assembly.
3. The track system of claim 1, wherein the drive wheel is a load bearing roller.
4. The track system of claim 1, wherein the carriage assembly further comprises a pivot configured to pivot an attached component.
5. The track system of claim 1, wherein the rail is formed of a cold rolled metal.
6. The track system of claim 1, wherein the rail is formed of an extruded metal.
7. The track system of claim 1, wherein the drive wheel and the at least two rollers comprise a silicon material.
8. The track system of claim 1, wherein the drive wheel and the at least two rollers comprise a metal material.
9. The track system of claim 1, wherein the drive wheel and the at least two rollers comprise a polymer material.

10. The track system of claim 1, wherein the drive wheel and the at least two rollers are configured to maintain the carriage assembly in contact with the rail.
11. The track system of claim 1, wherein the rail comprises internal support structures and hollow areas.
12. A conveying method, comprising the steps of:
 - providing a rail comprising a first planar side, a second planar side, and a third planar side, wherein the first, second, and third planar sides are arranged to form at least two acute angles;
 - providing a carriage assembly comprising a drive wheel and at least two roller sets, wherein the drive wheel is configured to contact the first planar side, wherein a first roller set of the at least two roller sets is configured to contact the second planar side, and a second roller set of the at least two roller sets is configured to contact the third planar side; and
 - translating the carriage assembly along the rail.
13. The conveying method of claim 12, further comprising actuating a motor the drive wheel to translate the carriage assembly.
14. The conveying method of claim 12, wherein the drive wheel is a load bearing roller.
15. The conveying method of claim 12, further comprising pivoting an attached component.
16. The conveying method of claim 12, wherein the rail is formed of a cold rolled metal.
17. The conveying method of claim 12, wherein the rail is formed of an extruded metal.

18. The conveying method of claim 12, wherein the drive wheel and the at least two rollers comprise a silicon material.
19. The conveying method of claim 12, wherein the drive wheel and the at least two rollers comprise a metal material.
20. The conveying method of claim 12, wherein the drive wheel and the at least two rollers comprise a polymer material.
21. The conveying method of claim 12, wherein the drive wheel and the at least two rollers maintain the carriage assembly in contact with the rail.
22. A cleaning apparatus, comprising:
 - a brush assembly comprising at least one rotatable brush having a rotational axis;
 - a drive configured to translate the brush assembly parallel to a track; and
 - a pivot configured to pivot the rotational axis in a plane parallel to the track and the rotational axis.
23. The cleaning apparatus of claim 22, further comprising a trailing assembly slidably attached to the brush assembly, wherein the trailing assembly is configured to translate along a second track.
24. The cleaning apparatus of claim 23, wherein the pivot is configured to allow the brush assembly to pivot in the plane to an angle that is not perpendicular to the track.
25. The cleaning apparatus of claim 24, wherein the angle is between 30 deg. and 80 deg.
26. The cleaning apparatus of claim 24, wherein the angle is between 40 deg. and 75 deg.
27. The cleaning apparatus of claim 24, wherein the angle is between 50 deg. and 70 deg.

28. The cleaning apparatus of claim 24, wherein the angle is between 55 deg. and 65 deg.
29. The cleaning apparatus of claim 24, wherein the angle is less than 60 deg.
30. The cleaning apparatus of claim 25, wherein the drive comprises a drive motor, and wherein the brush assembly comprises a brush motor configured to rotate the at least one rotatable brush about the rotational axis.
31. The cleaning apparatus of claim 22, wherein the at least one rotatable brush comprises a sweeping member having a bristle pattern parallel to the rotational axis.
32. The cleaning apparatus of claim 22, wherein each of the at least one rotatable brush comprises a shaft extending along the rotational axis and a sweeping member coupled to the shaft and configured to be rotatable about the rotational axis;
wherein the pivot is configured to rotate the shaft clockwise and counter-clockwise parallel to a solar panel; and
wherein the rotational axis is not perpendicular to the direction of the track while the cleaning apparatus is in an operational configuration.
33. A method of cleaning, comprising the steps of:
providing a brush assembly comprising at least one rotatable brush having a rotational axis;
pivoting the rotational axis in a plane parallel to the track and the rotational axis;
and
translating the brush assembly parallel to the track.
34. The cleaning method of claim 33, further comprising providing a trailing assembly slidably attached to the brush assembly, and translating the trailing assembly along a second track.

35. The cleaning method of claim 34, further comprising pivoting the brush assembly in the plane to an angle that is nonperpendicular to the track.
36. The cleaning method of claim 35, wherein the angle is between 30 deg. and 80 deg.
37. The cleaning method of claim 35, wherein the angle is between 40 deg. and 75 deg.
38. The cleaning method of claim 35, wherein the angle is between 50 deg. and 70 deg.
39. The cleaning method of claim 35, wherein the angle is between 55 deg. and 65 deg.
40. The cleaning method of claim 35, wherein the angle is less than 60 deg.
41. The cleaning method of claim 36, further comprising operating a brush motor to rotate the at least one rotatable brush about the rotational axis.
42. The cleaning method of claim 33, wherein the at least one rotatable brush comprises a sweeping member having a bristle pattern parallel to the rotational axis.
43. A photovoltaic array, comprising:
a rail comprising a first planar side, a second planar side, and a third planar side, wherein the first, second, and third planar sides are arranged to form at least a first acute angle and a second acute angle;
a solar panel mounted to the rail.
44. The photovoltaic array of claim 43, wherein the rail is formed of a cold rolled metal.

45. The photovoltaic array of claim 43, wherein the rail is formed of an extruded metal.
46. The photovoltaic array of claim 43, further comprising:
a carriage assembly comprising a pivot, a drive wheel, and at least two roller sets;
and
a brush assembly comprising at least one rotatable brush having a rotational axis,
wherein the brush assembly is pivotally attached to the carriage assembly.
47. The photovoltaic array of claim 46, wherein the drive wheel is configured to contact the first planar side and is configured to translate the carriage assembly along the rail; and
wherein a first roller set of the at least two roller sets is configured to contact the second planar side, and a second roller set of the at least two roller sets is configured to contact the third planar side.
48. The photovoltaic array of claim 47, wherein the solar panel is further mounted to a second rail, wherein the rail and the second rail are in a plane substantially parallel to a solar panel.
49. The photovoltaic array of claim 47, wherein the second rail comprises three planar sides arranged to form at least a third acute angle and a fourth acute angle.
50. The photovoltaic array of claim 49, further comprising a trailing carriage assembly slidably attached to the brush assembly and comprising at least three roller sets.
51. The photovoltaic array of claim 50, wherein the at least three roller sets comprise at least one drive wheel.
52. The photovoltaic array of claim 46, wherein, in an operational configuration, the rotational axis is nonperpendicular to the rail.

53. The photovoltaic array of claim 43, further comprising a housing for containing a brush assembly, wherein the brush assembly comprises at least one rotatable brush having a rotational axis, wherein the brush assembly is pivotally attached to a carriage assembly.
54. The photovoltaic array of claim 43, further comprising a mounting frame configured to maintain the solar panel in relation to the rail.
55. The photovoltaic array of claim 54, wherein the mounting frame comprises a c-shape cross section and a material for securing the solar panel.
56. The photovoltaic array of claim 55, wherein the material is a polymer.
57. The photovoltaic array of claim 55, wherein the material is an elastomer.
58. The photovoltaic array of claim 55, wherein the material is an adhesive.
59. The photovoltaic array of claim 55, wherein the material is a resin.
60. A track system, comprising:
a channel comprising a first planar side and a second planar side;
wherein the first and second planar sides are arranged at an acute angle;
a carriage assembly comprising a drive wheel and at least two rollers;
wherein the drive wheel is in contact with the first planar side and is configured to translate the carriage assembly along the channel; and
wherein at least one of the at least two rollers is in contact with the second planar side.
61. The track system of claim 60, wherein the carriage assembly further comprises a pivot.
62. The track system of claim 61, further comprising means for dust abatement.
63. The track system of claim 61, further comprising:

a brush assembly comprising one or more rotatable brushes each comprising a rotational axis;

wherein the pivot is configured to pivot the brush assembly.

64. The track system of claim 61, further comprising a panel, wherein the panel is mounted to the channel and wherein the top of the channel is substantially flush with the panel;

wherein the pivot is configured to allow pivoting the rotational axis in a plane parallel to the panel; and

wherein the carriage assembly is configured to translate the brush assembly in a direction that is nonperpendicular to the rotational axis.

65. A method of conveying, comprising the steps of:

providing a channel comprising a first planar side, a second planar side, and an open face, wherein the first and second planar sides are arranged at an acute angle;

providing a carriage assembly comprising a drive wheel and at least two rollers, wherein the drive wheel is in contact with the first planar side, wherein at least one of the at least two rollers is in contact with the second planar side; and

translating the carriage assembly along the channel.

66. The method of conveying of claim 65, wherein the carriage assembly further comprises a pivot.

67. The method of conveying of claim 66, further comprising abating dust ingress into the channel.

68. The method of conveying of claim 66, further providing a brush assembly comprising one or more rotatable brushes each having a rotational axis; and pivoting the brush assembly.

69. The method of conveying of claim 66, wherein the open face of the channel is substantially flush with a panel; further comprising:

pivoting the rotational axis in a plane parallel to the panel; and

translating the brush assembly in a direction that is nonperpendicular to the rotational axis.

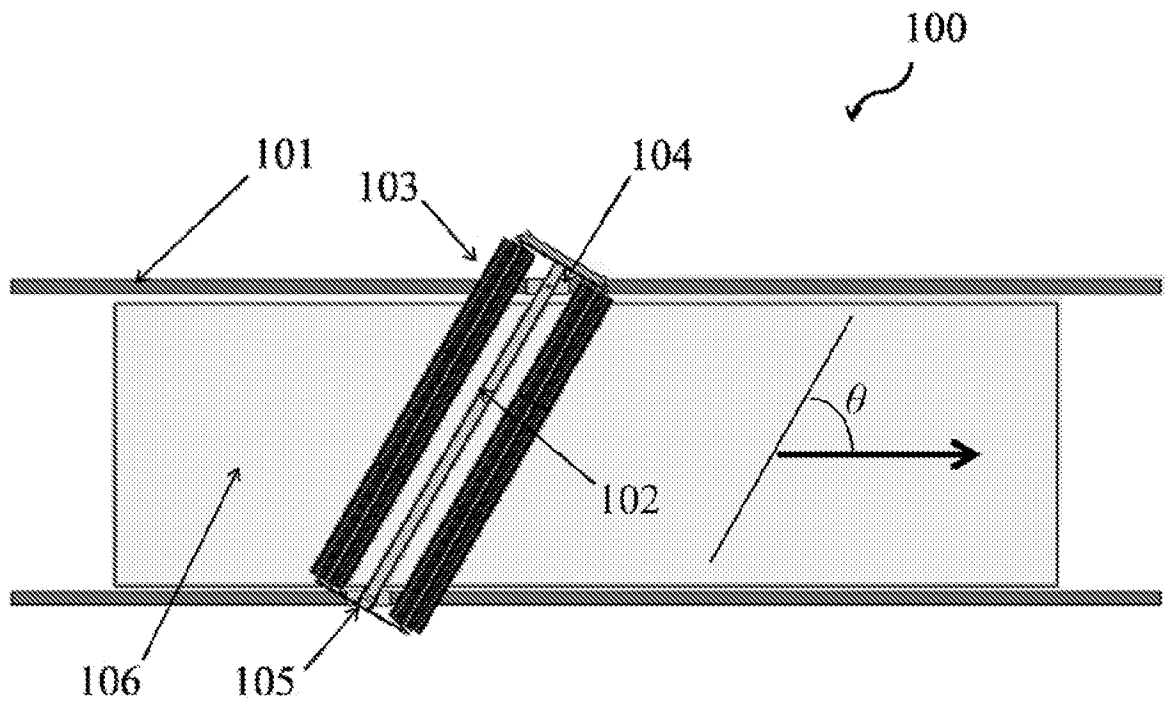


Figure 1

2/13

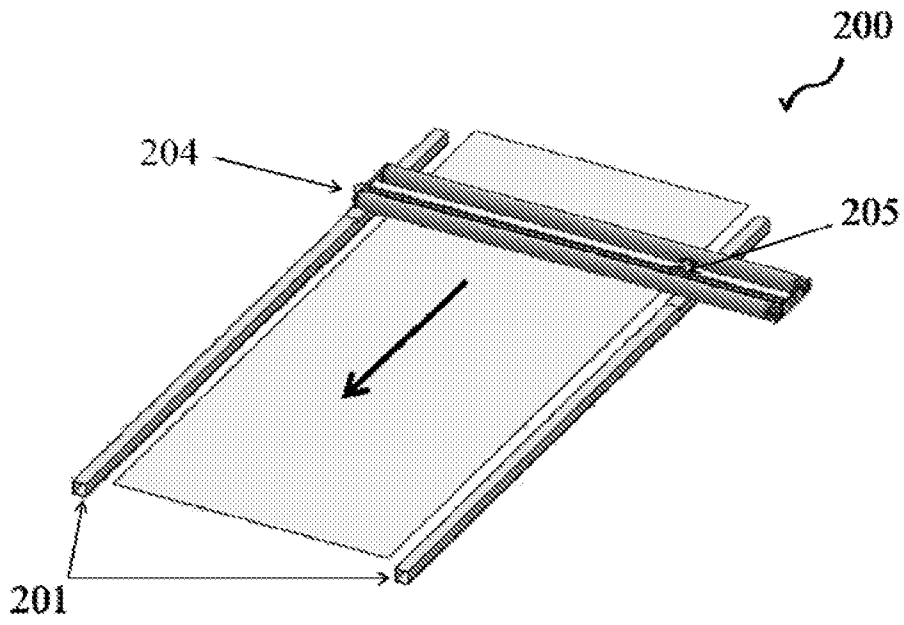


Figure 2A

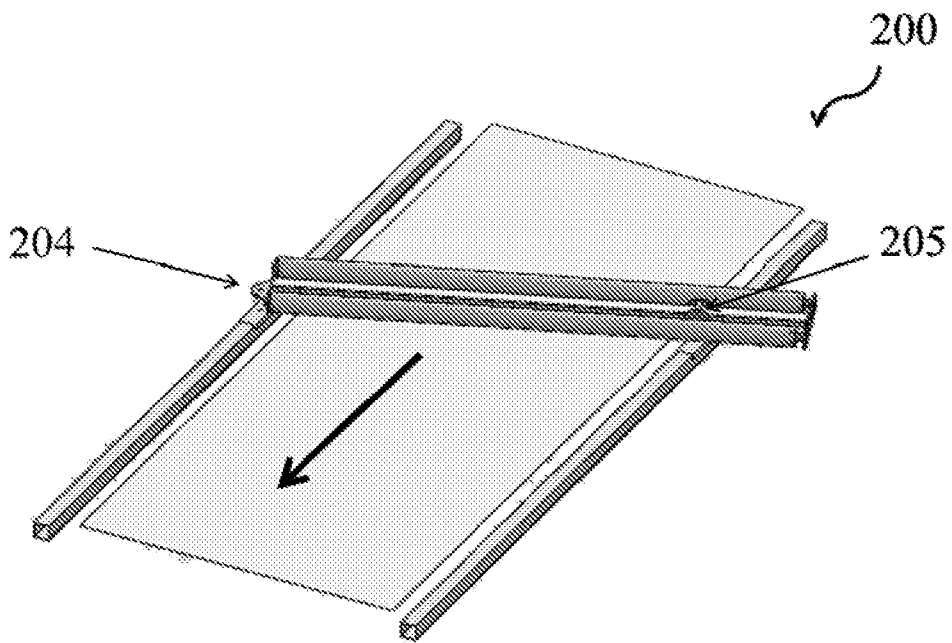


Figure 2B

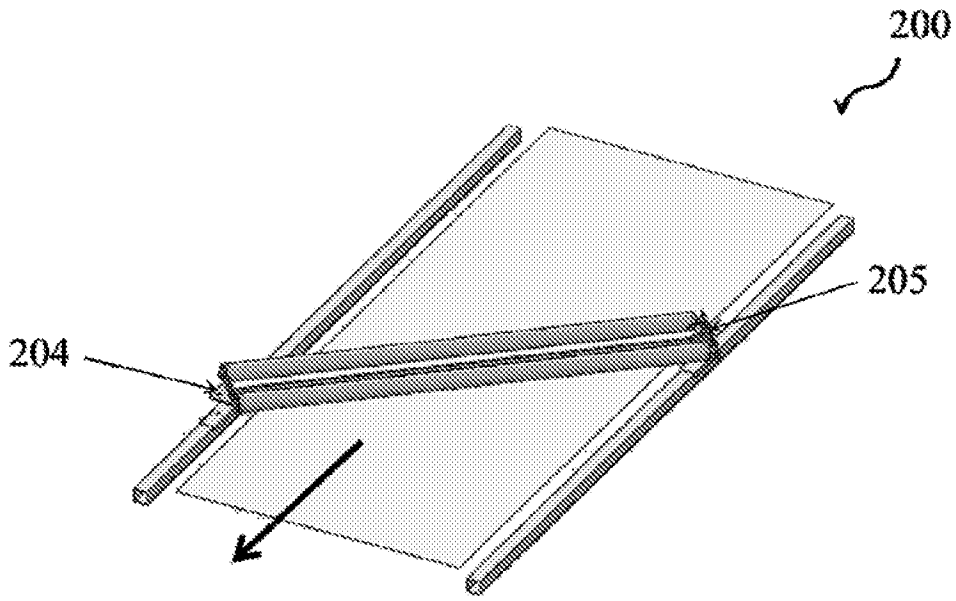


Figure 2C

4/13

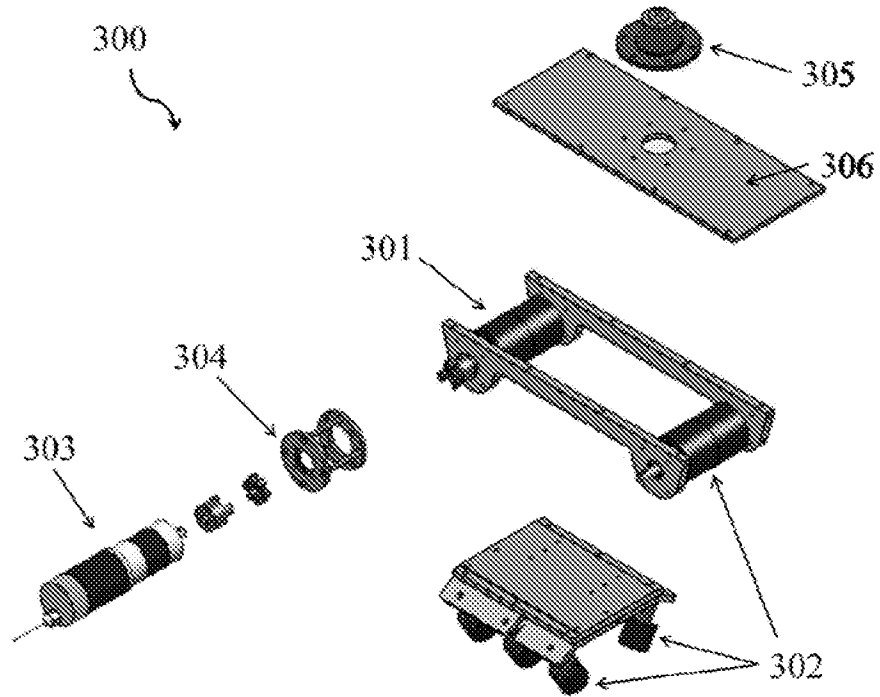


Figure 3A

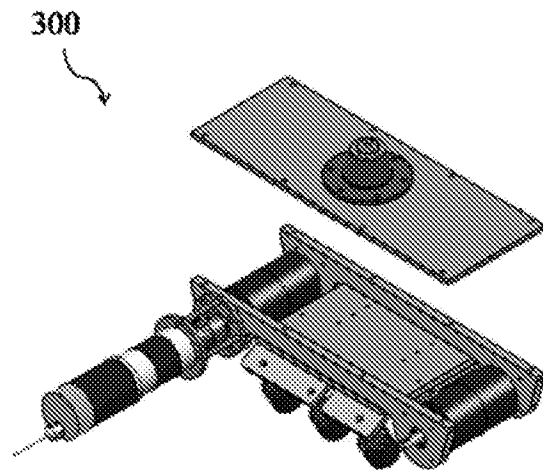


Figure 3B

5/13

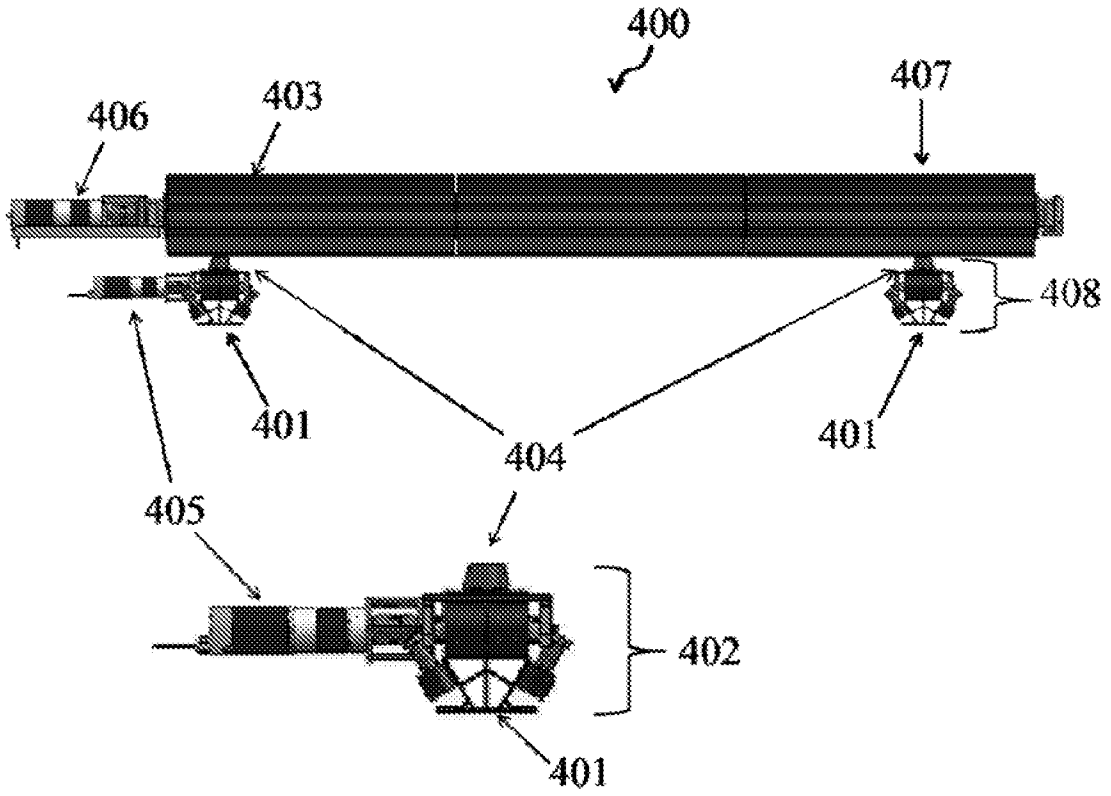


Figure 4

6/13

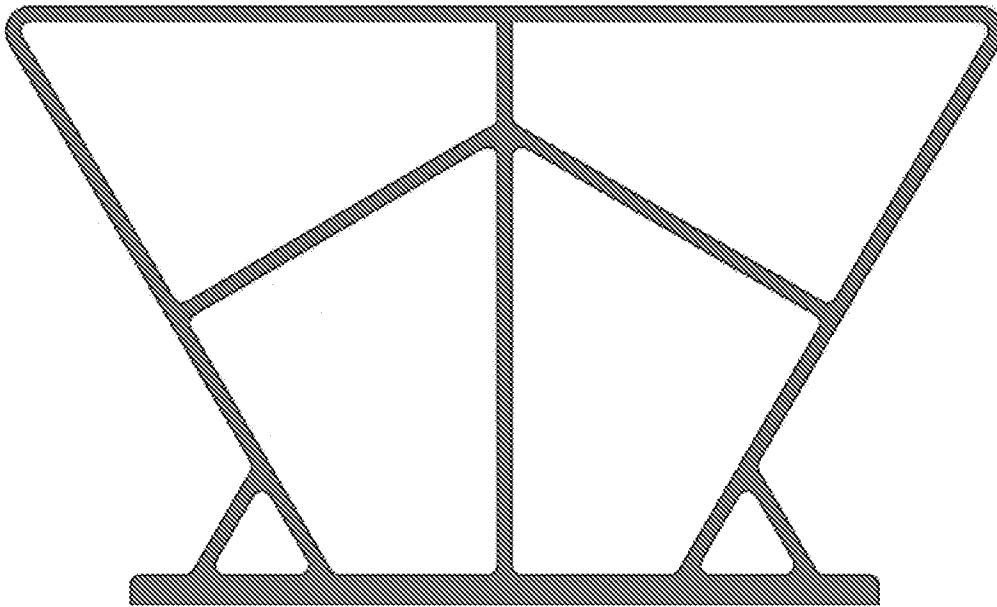


Figure 5

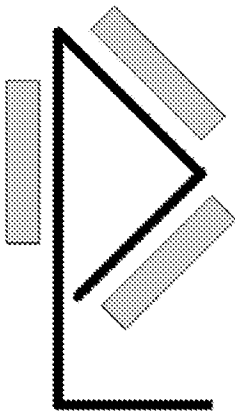


Figure 6A

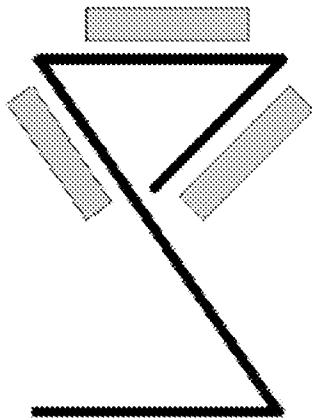


Figure 6B

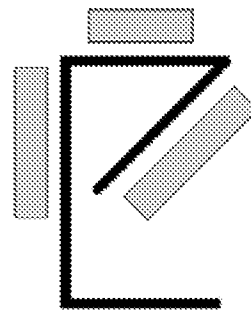


Figure 6C

7/13

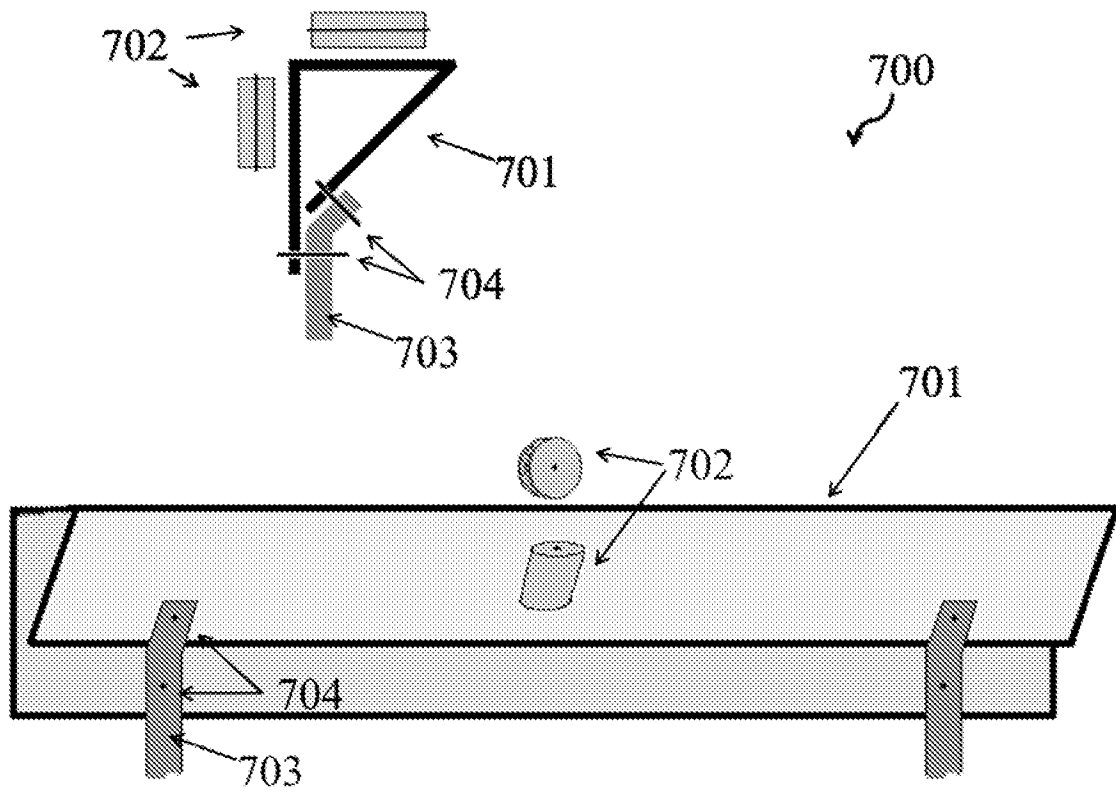


Figure 7

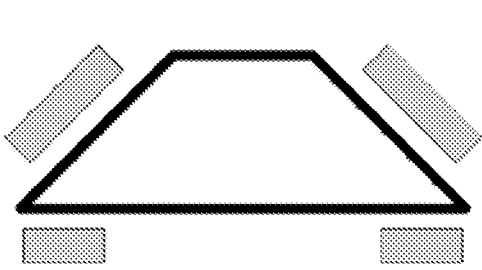


Figure 8A

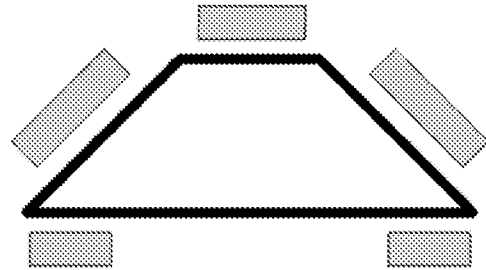


Figure 8B

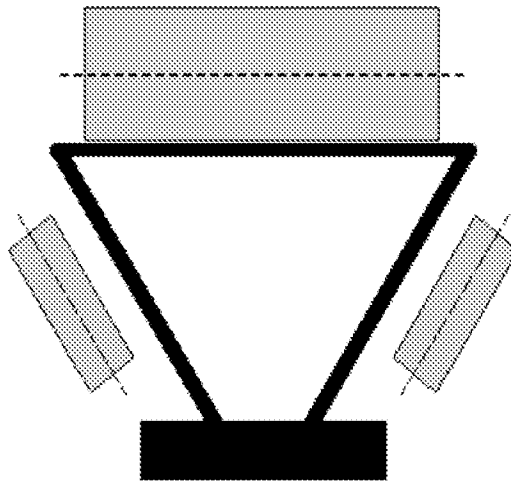


Figure 9

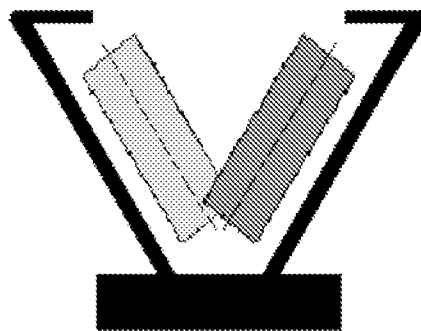


Figure 10

9/13

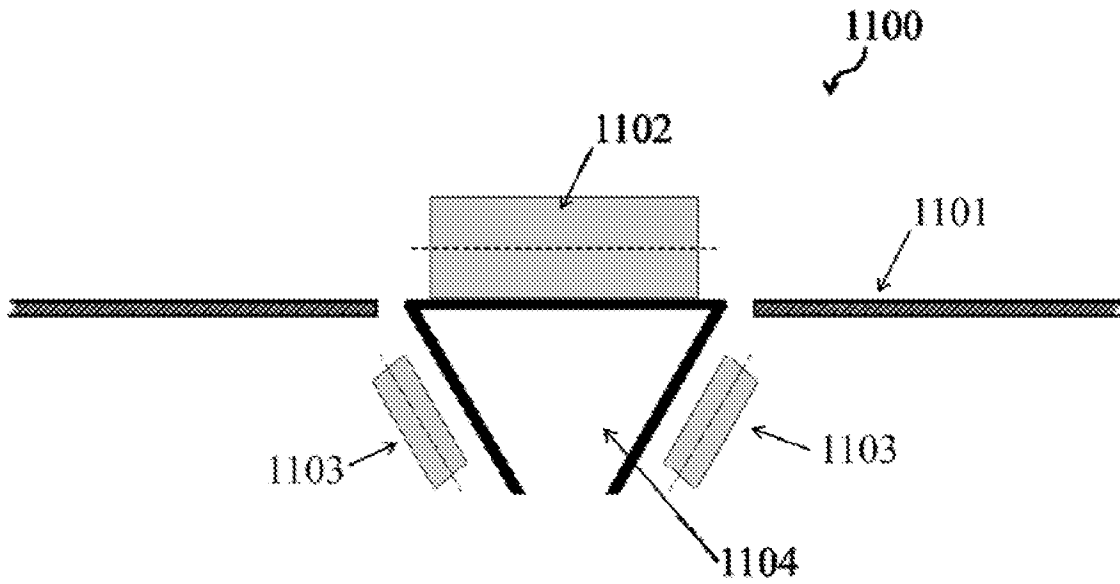


Figure 11

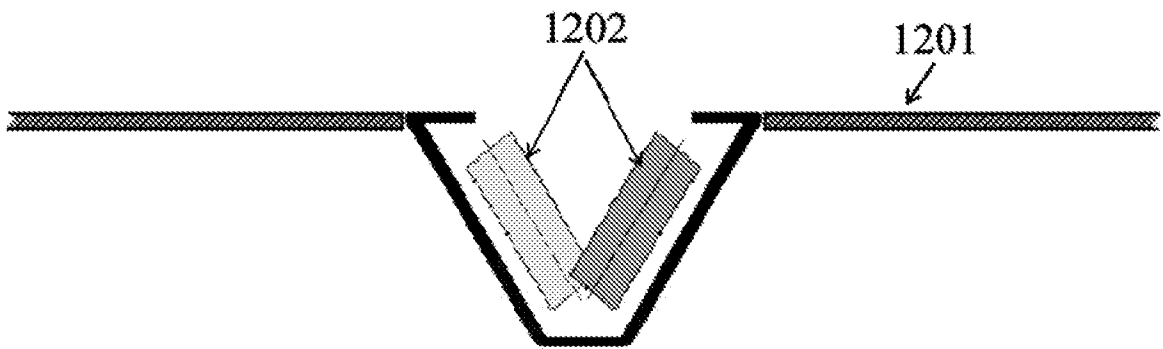


Figure 12

10/13

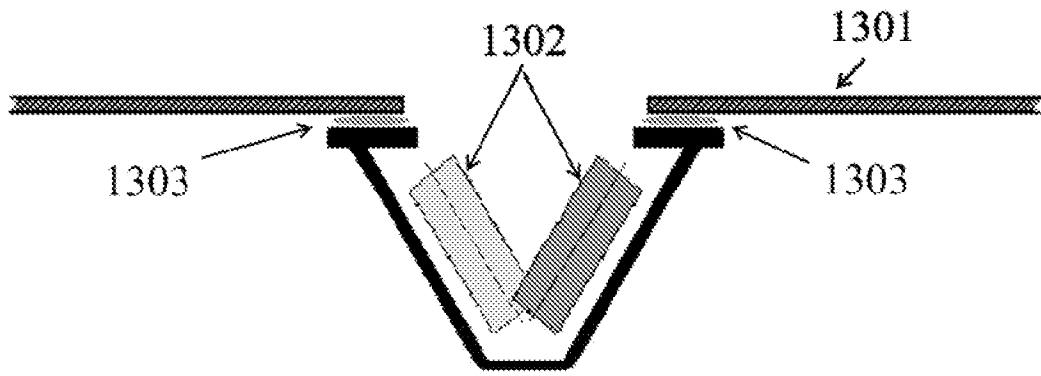


Figure 13

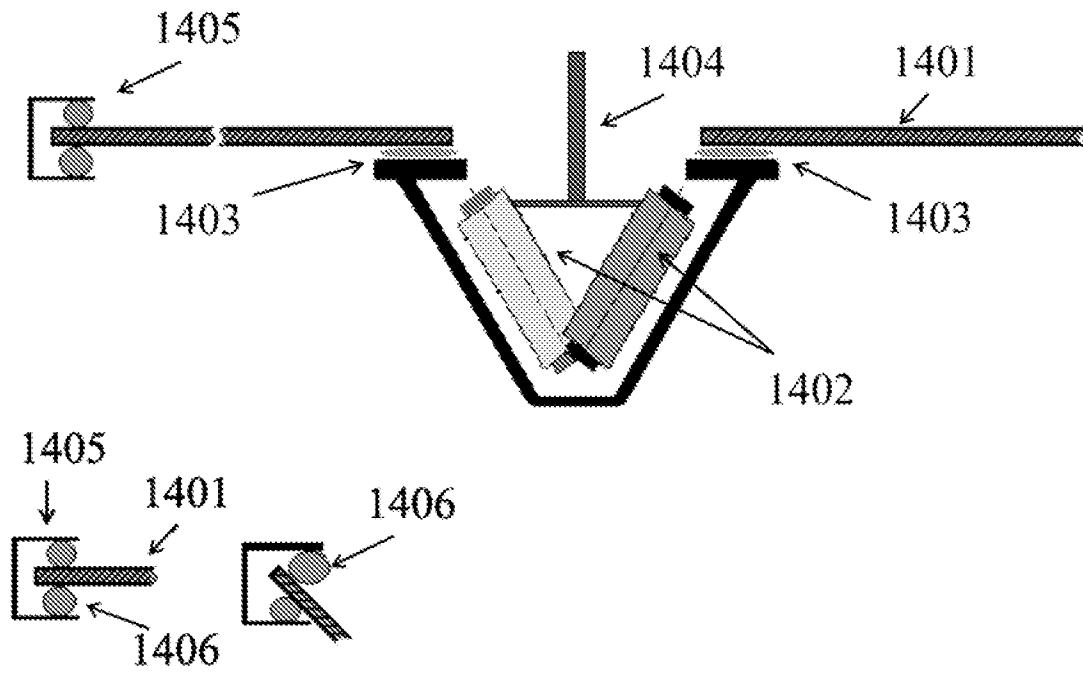


Figure 14

11/13

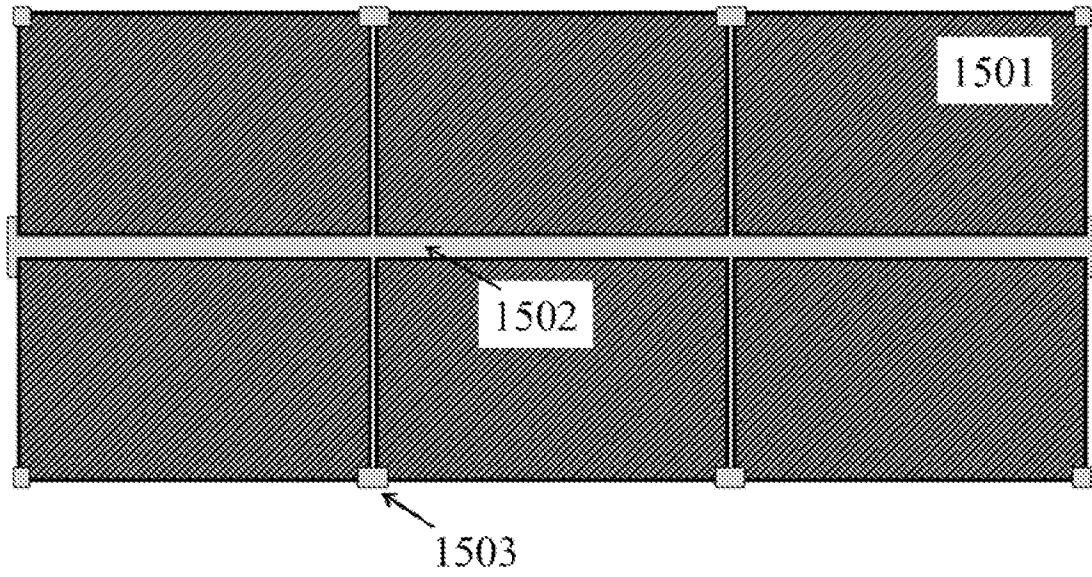


Figure 15

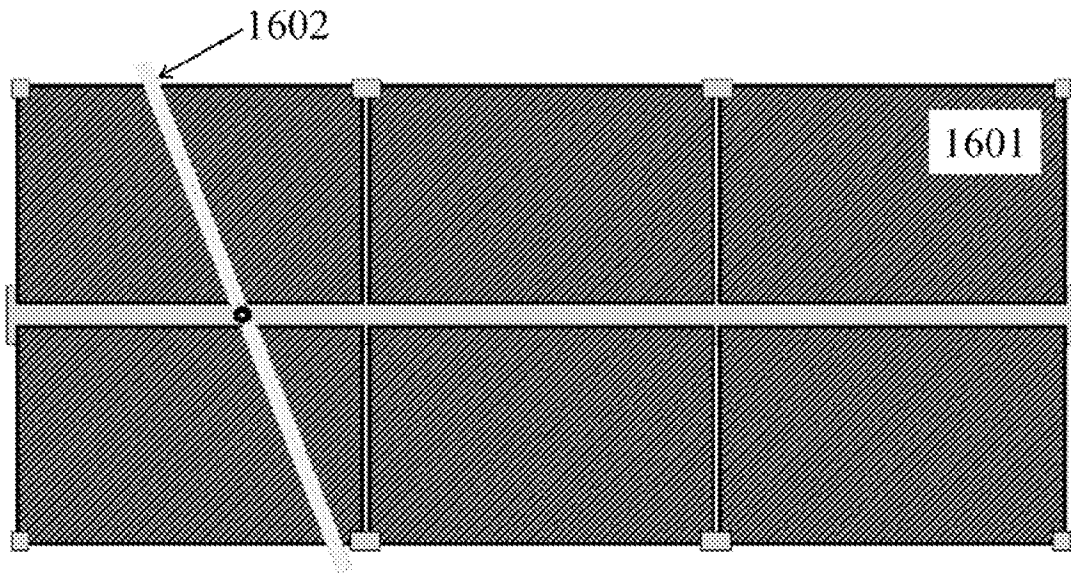


Figure 16

12/13

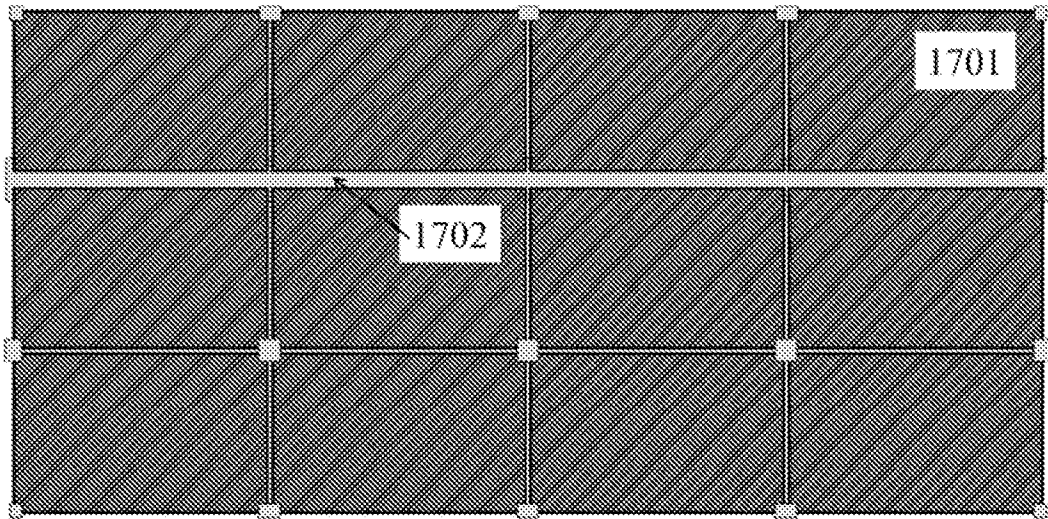


Figure 17

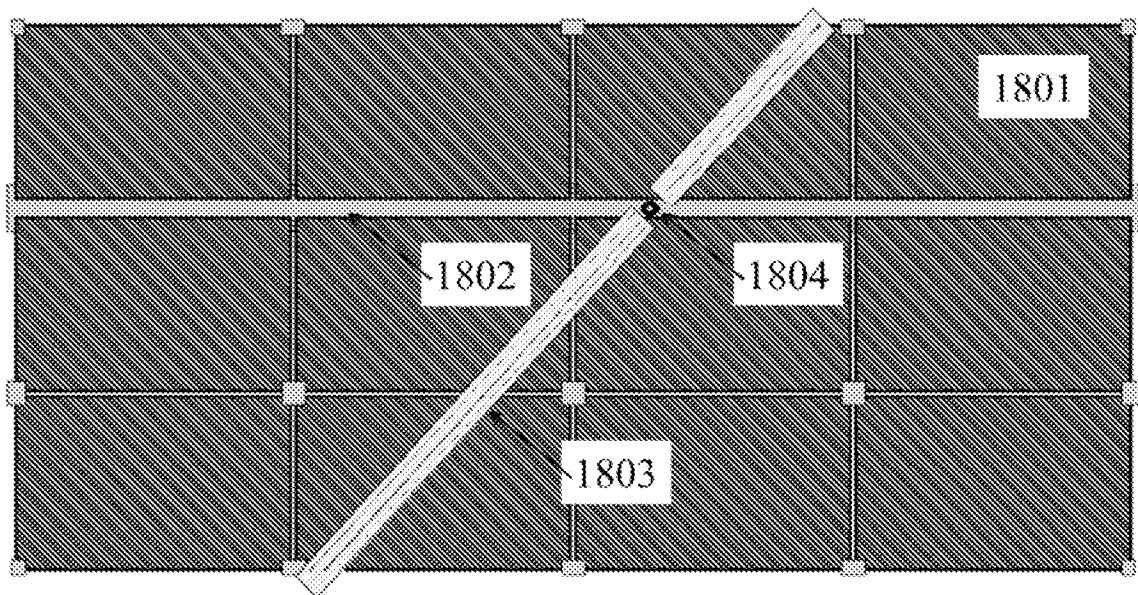


Figure 18

13/13

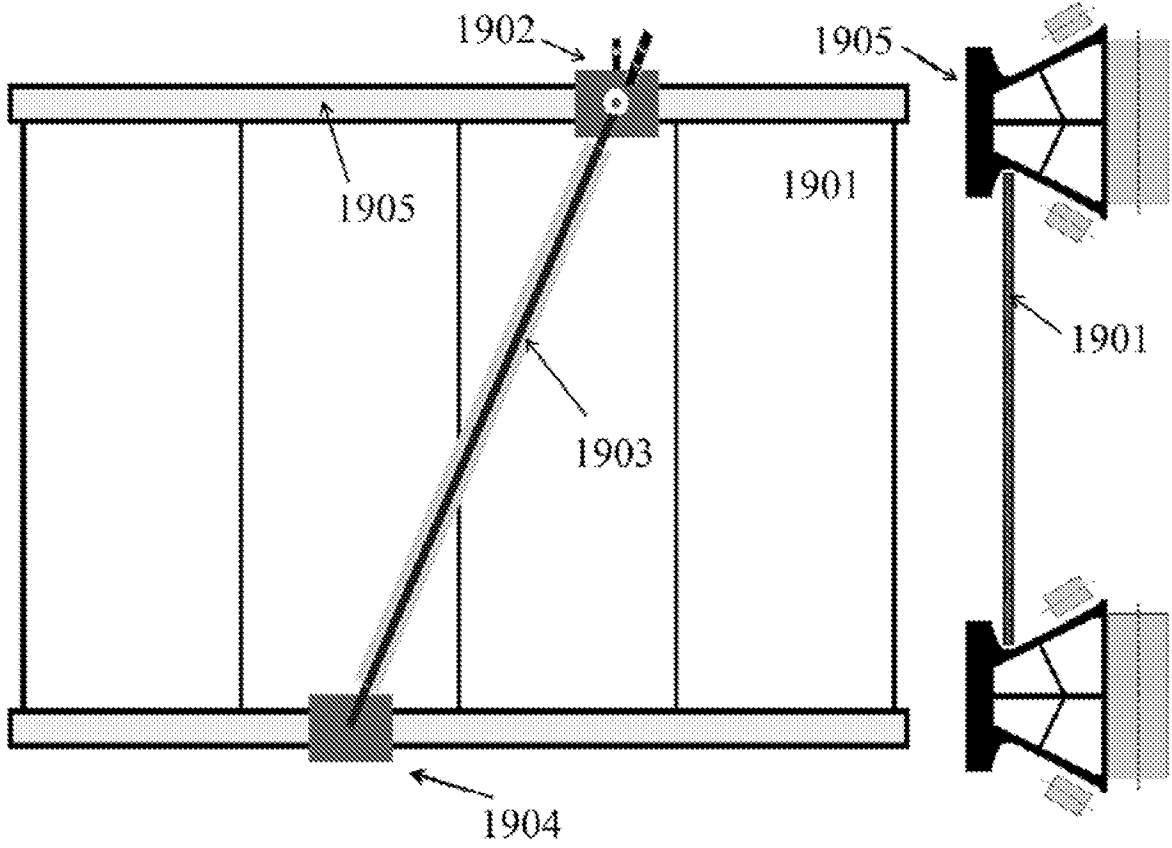


Figure 19